

AXOP34062/4/S

40V RRIO Operational Amplifiers (Dual/Quad)



Datasheet – May 2023

Description

The AXOP34062 (dual), and AXOP34064 (quad) are dual and quad high voltage (3V to 40V) operational amplifiers (opamps) with rail-to-rail input and output swing capabilities. These devices are very suitable for applications where high voltage operation, a small footprint, and high capacitive load drive (up to 1nF) are required. AXOP34062S and AXOP34064S are with Shutdown function.

Features

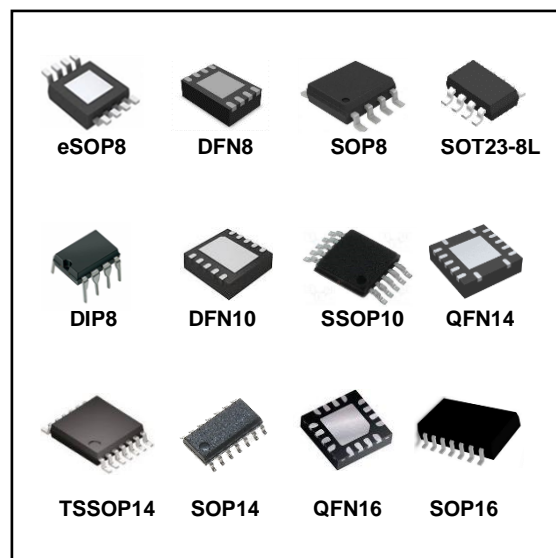
- Supply voltages from 3V to 40V
- THD+N 108dB
- SNR 110dB
- Input Noise 3 μ V
- Rail-to-rail input and output
- Input offset voltage: ± 1 mV typ
- Unity-gain bandwidth: 22MHz
- Quiescent current (per opamp): 800 μ A typ @40V
- Shutdown function (AXOP34062S and AXOP34064S)

Applications

- Infotainment system
- HVAC: heating, ventilating, and air conditioning
- Industrial control
- Test equipment
- Portable Equipment
- Active filters
- Data acquisition system

Table 1 Device Summary

Order code	Package	Packing	MOQ
AXOP34062A	eSOP8	Reel	2500
AXOP34062B	DFN8	Reel	3000
AXOP34062C	SOP8	Reel	4000
AXOP34062D	SOT23-8L	Reel	3000
AXOP34062E	DIP8	Tube	2000
AXOP34062SA	DFN10	Reel	5000
AXOP34062SB	SSOP10	Reel	2500
AXOP34064A	QFN14	Reel	6000
AXOP34064B	TSSOP14	Reel	3000
AXOP34064C	SOP14	Reel	2500
AXOP34064SA	QFN16	Reel	6000
AXOP34064SB	SOP16	Reel	4000



Contents

Description.....	1
Features.....	1
Applications	1
2 Pin Description	5
2.1 AXOP34062A/B/C/D/E Pinouts.....	5
2.2 AXOP34062SA/B Pinouts.....	6
2.3 AXOP34064A/B/C Pinouts	7
2.4 AXOP34064SA/B Pinouts.....	8
3 Electrical Specifications.....	9
3.1 Absolute Maximum Ratings	9
3.2 Thermal Data.....	9
3.3 ESD.....	9
3.4 Electrical Characteristics	10
3.5 Typical Electrical Characteristics	12
4 Functional Description.....	14
4.1 Overview	14
4.2 Rail to Rail Input	14
4.3 Rail to Rail Output	14
4.4 Overload Recovery.....	14
4.5 EMI Rejection	14
4.6 Shutdown	14
5 Package Information	15
5.1 Package Dimensions.....	15
5.2 Marking Information.....	27
6 Packing Information.....	33
7 Revision History	34

List of Figures

Figure 1 Block Diagram.....	4
Figure 2 Typical Application Circuit	4
Figure 3 AXOP34062A/B/C/D/E Pinouts	5
Figure 4 AXOP34062SA/B Pinouts	6
Figure 5 AXOP34064A/B/C Pinouts	7
Figure 6 AXOP34064SA/B Pinouts	8
Figure 7 Vos Distribution.....	12
Figure 8 Vos vs Input Common Mode Voltage	12
Figure 9 Vos vs Vs.....	12
Figure 10 Iq (per opamp) vs Vs.....	13
Figure 11 eSOP8 Mechanical Data and Package Dimensions	15
Figure 12 DFN8 Mechanical Data and Package Dimensions	16
Figure 13 SOP8 Mechanical Data and Package Dimensions	17
Figure 14 SOT23-8L Mechanical Data and Package Dimensions	18
Figure 15 DIP8 Mechanical Data and Packaging Information.....	19
Figure 16 DFN10 Mechanical Data and Package Dimensions	20
Figure 17 SSOP10 Mechanical Data and Package Dimensions.....	21
Figure 18 QFN14 Mechanical Data and Package Dimensions	22
Figure 19 TSSOP14 Mechanical Data and Package Dimensions.....	23
Figure 20 SOP14 Mechanical Data and Package Dimensions	24
Figure 21 QFN16 Mechanical Data and Package Dimensions	25
Figure 22 SOP16 Mechanical Data and Package Dimensions	26
Figure 23 eSOP8 Marking Information	27
Figure 24 DFN8 Marking Information	27
Figure 25 SOP8 Marking Information	28
Figure 26 SOT23-8L Marking Information	28
Figure 27 DIP8 Marking Information.....	29
Figure 28 DFN10 Marking Information	29
Figure 29 SSOP10 Marking Information.....	30
Figure 30 QFN14 Marking Information	30
Figure 31 TSSOP14 Marking Information.....	31
Figure 32 SOP14 Marking Information	31
Figure 33 QFN16 Marking Information	32
Figure 34 SOP16 Marking Information	32
Figure 35 Reel Packing Information	33

List of Tables

Table 1 Device Summary	1
Table 2 Absolute Maximum Ratings.....	9
Table 3 Thermal Data	9
Table 4 ESD	9
Table 5 Electrical Characteristics	10
Table 6 Document Revision History	34

1 Block Diagram and Application Circuit

Figure 1 Block Diagram

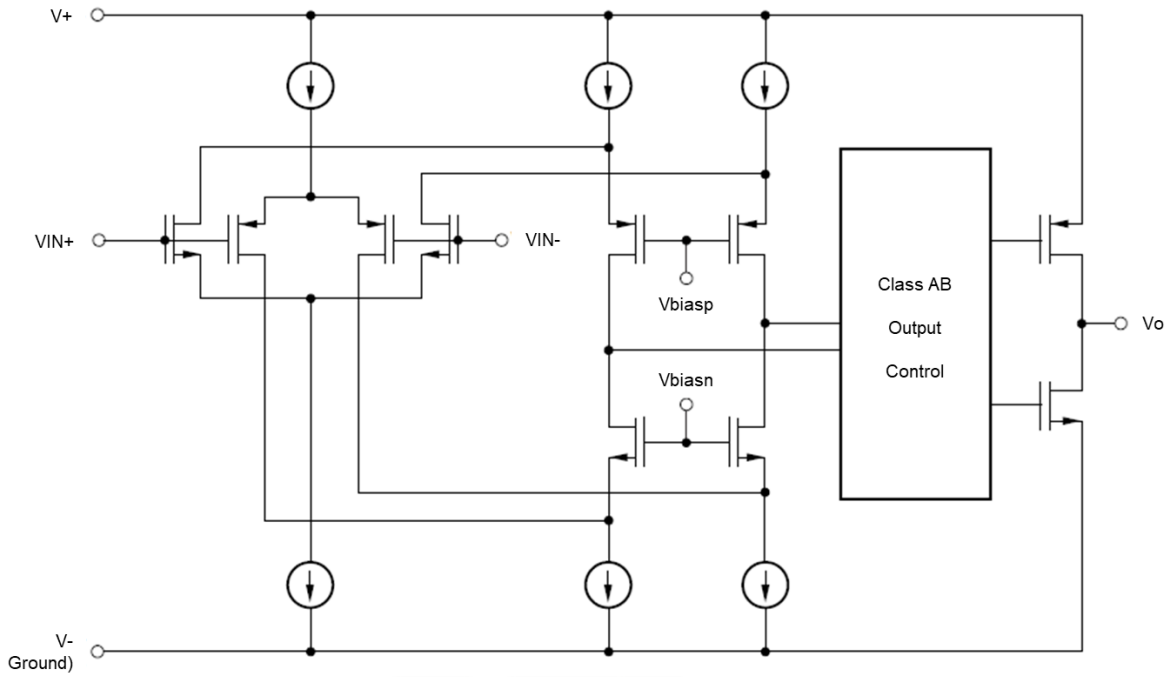
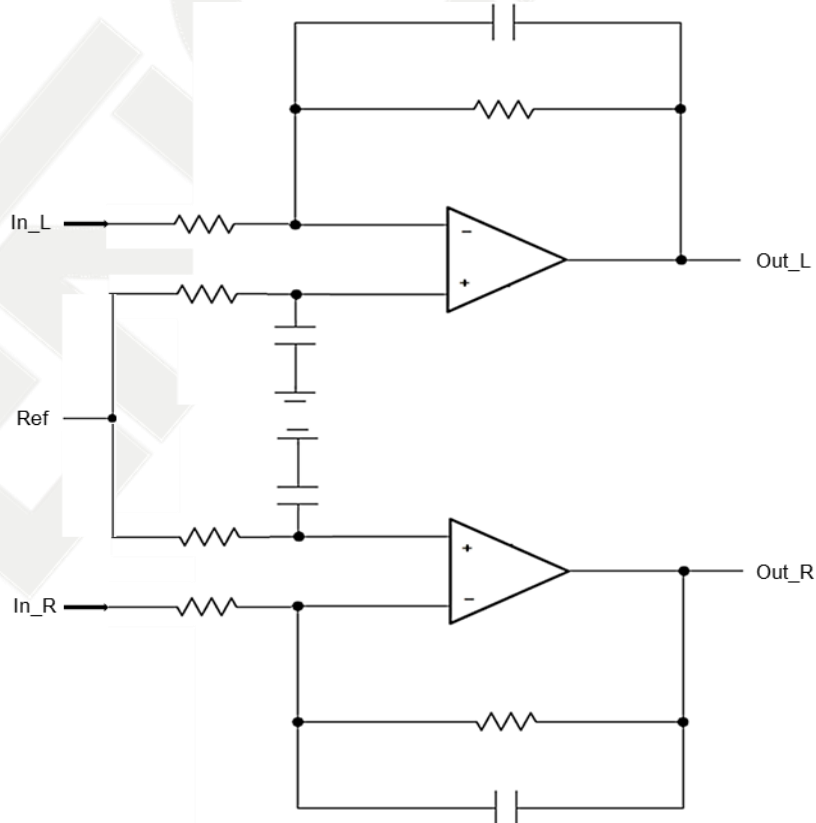


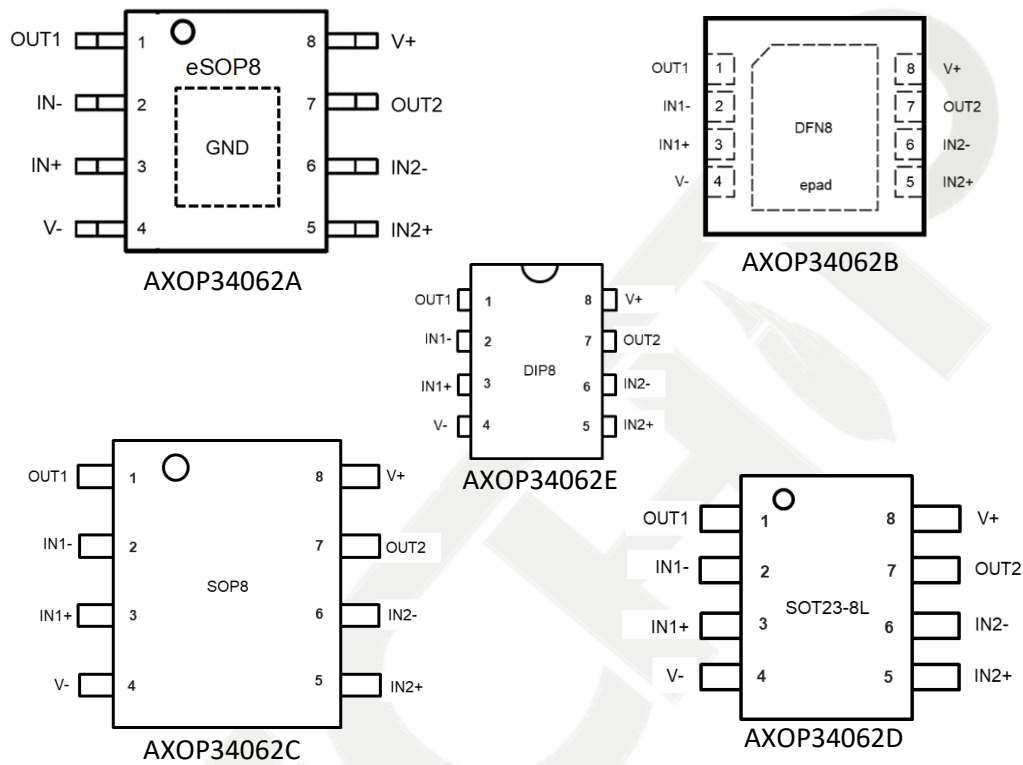
Figure 2 Typical Application Circuit (Stereo Sound Input Amplifier)



2 Pin Description

2.1 AXOP34062A/B/C/D/E Pinouts

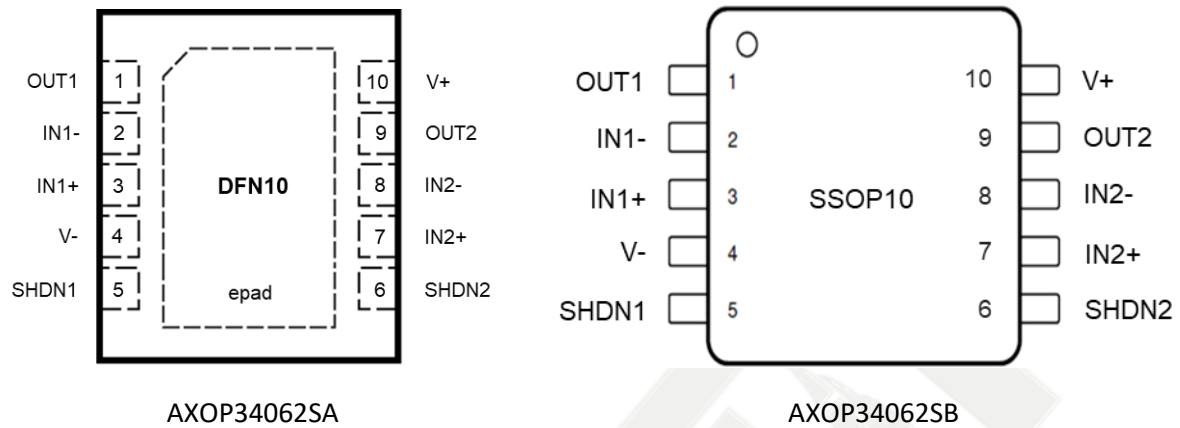
Figure 3 AXOP34062A/B/C/D/E Pinouts



Pin number	Pin name	Description
1	OUT1	Output 1
2	IN1-	Inverting input 1
3	IN1+	Non-inverting input 1
4	V-	Negative supply or ground
5	IN2+	Non-inverting input 2
6	IN2-	Inverting input 2
7	OUT2	Output 2
8	V+	Positive supply

2.2 AXOP34062SA/B Pinouts

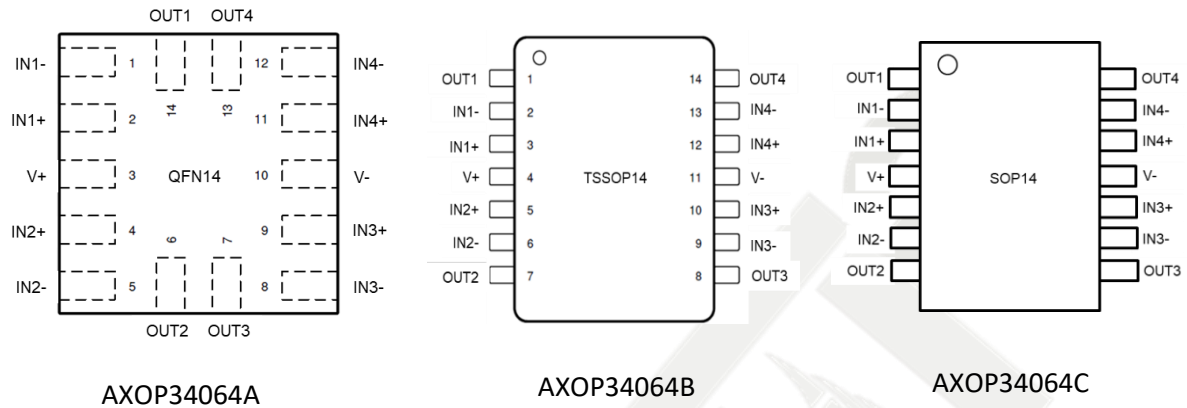
Figure 4 AXOP34062SA/B Pinouts



Pin number	Pin name	Description
1	OUT1	Output 1
2	IN1-	Inverting input 1
3	IN1+	Non-inverting input 1
4	V-	Negative supply or ground
5	SHDN1	Shutdown1: "High" = opamp 1 disabled Shutdown1: "Low" = opamp 1 enabled Shutdown1: "Float" = opamp 1 enabled
6	SHDN2	Shutdown2: "High" = opamp 1 disabled Shutdown2: "Low" = opamp 1 enabled Shutdown2: "Float" = opamp 1 enabled
7	IN2+	Non-inverting input 2
8	IN2-	Inverting input 2
9	OUT2	Output 2
10	V+	Positive supply

2.3 AXOP34064A/B/C Pinouts

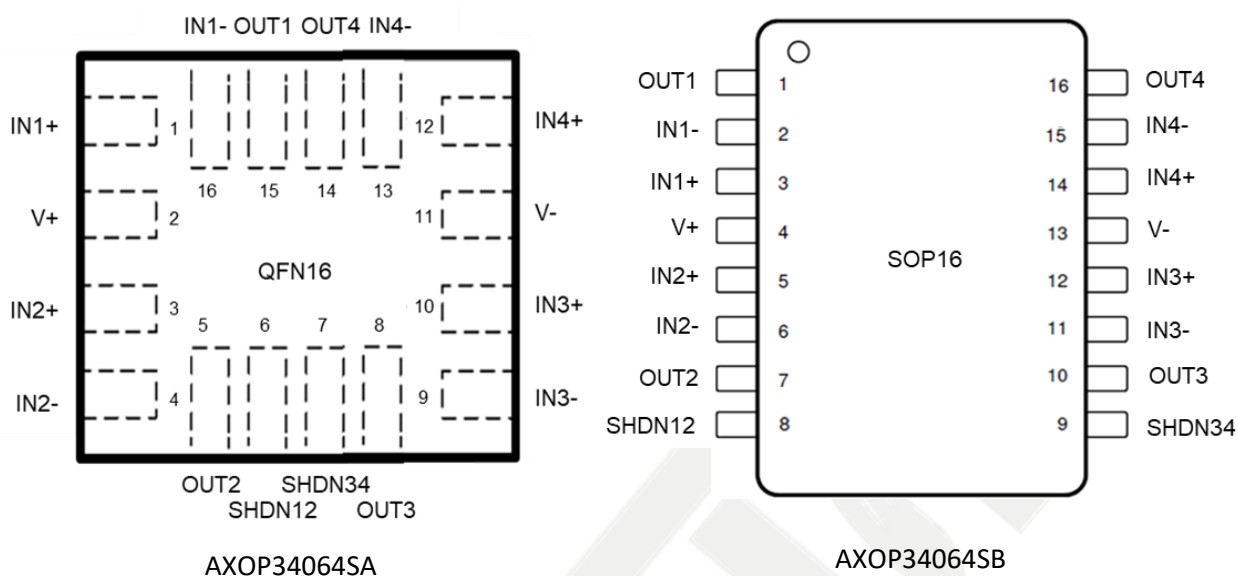
Figure 5 AXOP34064A/B/C Pinouts



Pin number	AXOP34064A		AXOP34064B/C	
	QFN14 Pin name	QFN14 Description	TSSOP14/SOP14 Pin name	TSSOP14 / SOP14 Description
1	IN1-	Inverting input 1	OUT1	Output 1
2	IN1+	Non-inverting input 1	IN1-	Inverting input 1
3	V+	Positive supply	IN1+	Non-inverting input 1
4	IN2+	Non-inverting input 2	V+	Positive supply
5	IN2-	Inverting input 2	IN2+	Non-inverting input 2
6	OUT2	Output 2	IN2-	Inverting input 2
7	OUT3	Output 3	OUT2	Output 2
8	IN3-	Inverting input 3	OUT3	Output 3
9	IN3+	Non-inverting input 3	IN3-	Inverting input 3
10	V-	Negative supply or ground	IN3+	Non-inverting input 3
11	IN4+	Non-inverting input 4	V-	Negative supply or ground
12	IN4-	Inverting input 4	IN4+	Non-inverting input 4
13	OUT4	Output 4	IN4-	Inverting input 4
14	OUT1	Output 1	OUT4	Output 4

2.4 AXOP34064SA/B Pinouts

Figure 6 AXOP34064SA/B Pinouts



Pin number	AXOP34064SA		AXOP34064SB	
	QFN16 Pin name	QFN16 Description	SOP16 Pin name	SOP16 Description
1	IN1+	Non-inverting input 1	OUT1	Output 1
2	V+	Positive supply	IN1-	Inverting input 1
3	IN2+	Non-inverting input 2	IN1+	Non-inverting input 1
4	IN2-	Inverting input 2	V+	Positive supply
5	OUT2	Output 2	IN2+	Non-inverting input 2
6	SHDN12	Shutdown12: "High" = opamp 1&2 disabled	IN2-	Inverting input 2
7	SHDN34	Shutdown34: "High" = opamp 3&4 disabled	SHDN12	Shutdown12: "High" = opamp 1&2 disabled
8	OUT3	Output 3	SHDN34	Shutdown34: "High" = opamp 3&4 disabled
9	IN3-	Inverting input 3	IN3-	Inverting input 3
10	IN3+	Non-inverting input 3	OUT3	Output 3
11	V-	Negative supply or ground	IN3-	Inverting input 3
12	IN4+	Non-inverting input 4	IN3+	Non-inverting input 3
13	IN4-	Inverting input 4	V-	Negative supply or ground
14	OUT4	Output 4	IN4+	Non-inverting input 4
15	OUT1	Output 1	IN4-	Inverting input 4
16	IN1-	Inverting input 1	OUT4	Output 4

3 Electrical Specifications

3.1 Absolute Maximum Ratings

Table 2 Absolute Maximum Ratings

Symbol	Parameter	Value	Unit
Vs	Supply voltage (V+) - (V-)	-0.3 to +45	V
IN+, IN-	Input pin voltage	(V-) - 0.5 to (V+) +0.5	V
OUT	Output pin voltage	(V-) - 0.5 to (V+) +0.5	V
Tj	Junction temperature	150	°C
Tstg	Storage temperature	-55 to +150	°C

3.2 Thermal Data

Table 3 Thermal Data

Package	Rth j-amb	Rth j-case	Unit
eSOP8	60	10	°C/W
DFN8	43	5	°C/W
SOP8	136	77	°C/W
SOT23-8L	184	100	°C/W
DIP8	85	41	°C/W
DFN10	42	6	°C/W
SSOP10	160	45	°C/W
QFN14	47	4	°C/W
TSSOP14	113	62	°C/W
SOP14	106	64	°C/W
QFN16	45	5	°C/W
SOP16	80	30	°C/W

3.3 ESD

Table 4 ESD

Symbol	Parameter	Value	Unit
All pins	ESD (HBM)	±2,000	V

3.4 Electrical Characteristics

For $V_s = (V_+) - (V_-) = 40V$ at $T_a = 25^\circ C$, $R_L = 10k\Omega$ connected to $V_s/2$, $V_{cm} = V_s/2$, and $V_{out} = V_s/2$ (unless otherwise noted).

Table 5 Electrical Characteristics

Symbol	Parameter	Test condition	Min	Typ	Max	Unit
V_s	Supply voltage (V_+) - (V_-)		3		40	V
T_a	Operating ambient temperature		-40		85	$^\circ C$
Power Supply						
I_q	Quiescent current per amplifier	$V_s=40V, I_o=0mA$		800	900	μA
		all temp			1,000	
Offset Voltage						
V_{os}	Input offset voltage			± 1	± 3	mV
		all temp			± 5	mV
dV_{os}/dT	Drift	all temp		± 0.5		$\mu V/^\circ C$
PSRR	Power-supply rejection ratio	At DC		100		dB
Csep	Channel separation	At DC		120		dB
Input Voltage Range						
V_{cm}	Common mode voltage range	$V_s=3V$ to $40V$	$(V_-)-0.1$		$(V_+)+0.1$	V
CMRR	Common mode rejection ratio	At DC		100		dB
Input Bias Current						
I_b	Input bias current			± 0.5		μA
I_{os}	Input offset current			± 0.05		μA
Noise						
E_n	Input voltage noise	$f=20Hz$ to $20kHz$		3		μV
Input Capacitance						
C_{id}	Differential			2		pF
C_{ic}	Common mode			4		pF
Open Loop Gain						
A_{ol}	Open loop voltage gain			130		dB
Frequency Response						
GBP	Gain bandwidth product	$G=+1, C_L=10pF$		22		MHz
SR	Slew rate	$G=+1, C_L=100pF$		14		$V/\mu s$
T_s	Settling time	To 0.1%, 2V step, $G=+1, C_L=100pF$		0.6		μs

THD+N	Total harmonic distortion + Noise (3 rd order filter; BW= 80kHz at -3dB.)	Vs=40V, Vcm=20V, Vo=1Vrms, G=+1, f=1kHz		108		dB
SNR	Signal to Noise Ratio	Vs=40V, Vin=1Vrms, G=+1, f=1kHz		110		dB
Output						
Vo	Voltage output swing from supply rails	RL=10kΩ		80		mV
Io,max	Maximum output current drive			±15		mA
		AXOP34062A only eSOP8 package		±100		mA
Shutdown (AXOP34062S and AXOP34064S only)						
Iqsd	Quiescent current per amplifier	Vs=3V to 40V, amplifier disabled, SHDN = "High"		80	120	μA
Vsd	Shutdown threshold	Vs=3V to 40V, amplifier disabled, SHDN = "High"	4			V
Vsdl	Low level shutdown threshold	Vs=3V to 40V, amplifier enabled, SHDN = "Float" or SHDN = "Low"			1	V
ton	Amplifier enable time	Vs=3V to 40V, full shutdown; G=+1, Vo = 0.9×Vs/2, RL connected to V-		10		μs
toff	Amplifier disable time	Vs=3V to 40V, G=+1, Vo=0.1×Vs/2, RL connected to V-		1		μs

Disable time (toff) and enable time (ton) are defined as the time interval between the 50% point of the signal applied to the SHDN pin and the point at which the output voltage reaches the 10% (disable) or 90% (enable) level.

3.5 Typical Electrical Characteristics

Figure 7 Vos Distribution

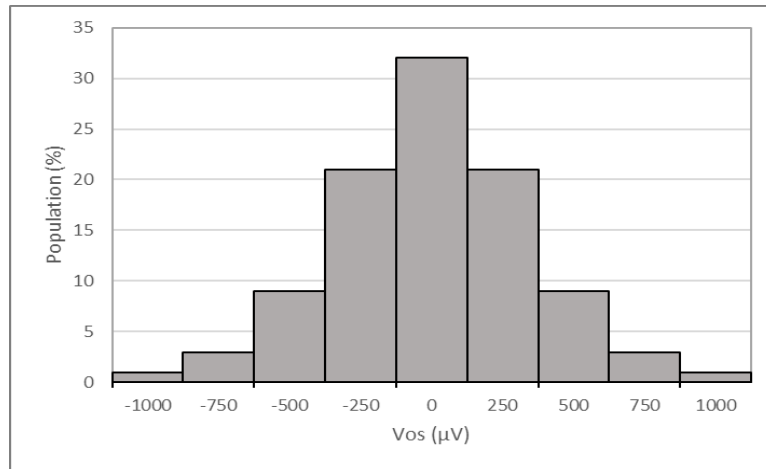


Figure 8 Vos vs Input Common Mode Voltage

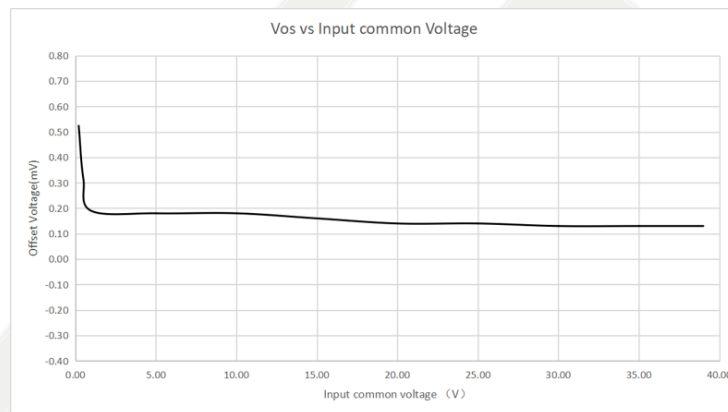


Figure 9 Vos vs Vs

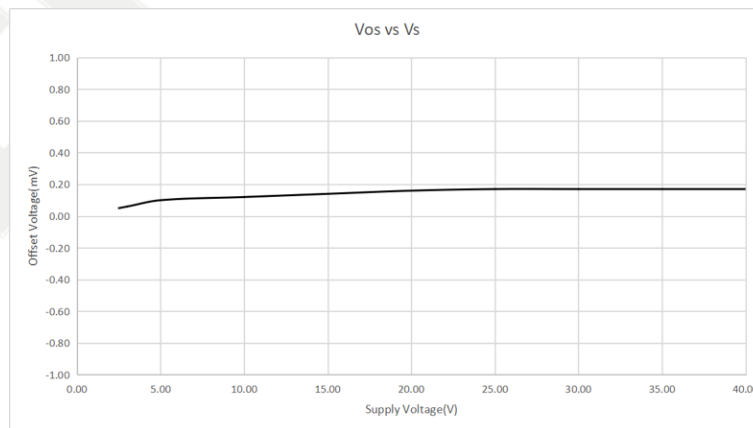
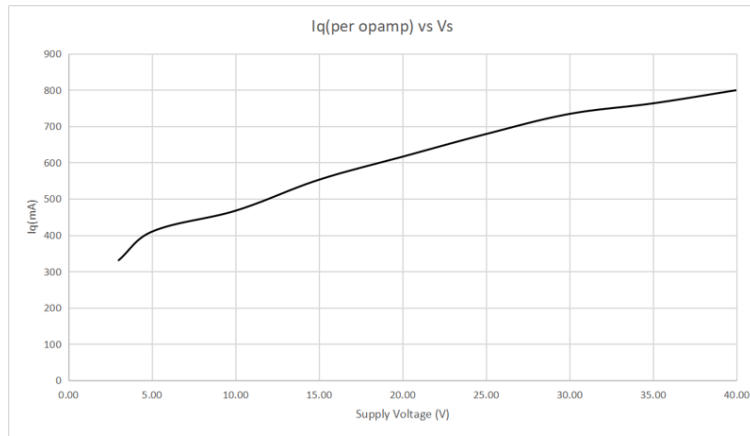


Figure 10 Iq (per opamp) vs Vs



4 Functional Description

4.1 Overview

The AXOP3406x devices are a family of high voltage, rail-to-rail input and output opamps. These devices operate from 3V to 40V, are unity gain stable, and are designed for a wide range of applications and used in virtually any single supply application.

4.2 Rail to Rail Input

The input common mode voltage range of the AXOP3406x family extends 100mV beyond the supply rails for the full supply voltage range of 3V to 40V. This performance is achieved with a complementary input stage: a N-channel input differential pair in parallel with a P-channel differential pair, as shown in Figure 1. The N-channel pair is active for input voltages close to the positive rail, typically $(V+) - 1.4V$ to 200mV above the positive supply, whereas the P-channel pair is active for inputs from 200mV below the negative supply to approximately $(V+) - 1.4V$. There is a transition region, in which both pairs are on. Within this transition region, PSRR, CMRR, offset voltage, offset drift, and THD can degrade compared to device operation outside this region.

4.3 Rail to Rail Output

Designed as a high voltage operational amplifier, the AXOP3406x series delivers a robust output drive capability. A class AB output stage with common source Mosfets achieves full rail-to-rail output swing capability. For resistive loads of 10k Ω , the output swings to within 100mV (typ) of either supply rail, regardless of the applied power supply voltage. Different load conditions change the ability of the amplifier to swing close to the rails.

4.4 Overload Recovery

Overload recovery is defined as the time required for the opamp output to recover from a saturated state to a linear state. The output devices of the opamp enter a saturation region when the output voltage exceeds the rated operating voltage, because of the high input voltage or the high gain. After the device enters the saturation region, the charge carriers in the output devices require time to return to the linear state. After the charge carriers return to the linear state, the device begins to slew at the specified slew rate. The overload recovery time for the AXOP3406x family is approximately 50ns.

4.5 EMI Rejection

The AXOP3406x uses integrated electromagnetic interference (EMI) filtering to reduce the effects of EMI from sources such as wireless communications and densely populated boards with a mix of analog signal chain and digital components.

4.6 Shutdown

The AXOP3406xS has shutdown function. The amplifiers can be shut down by enabling the respective shutdown pin.

5 Package Information

5.1 Package Dimensions

Figure 11 eSOP8 Mechanical Data and Package Dimensions

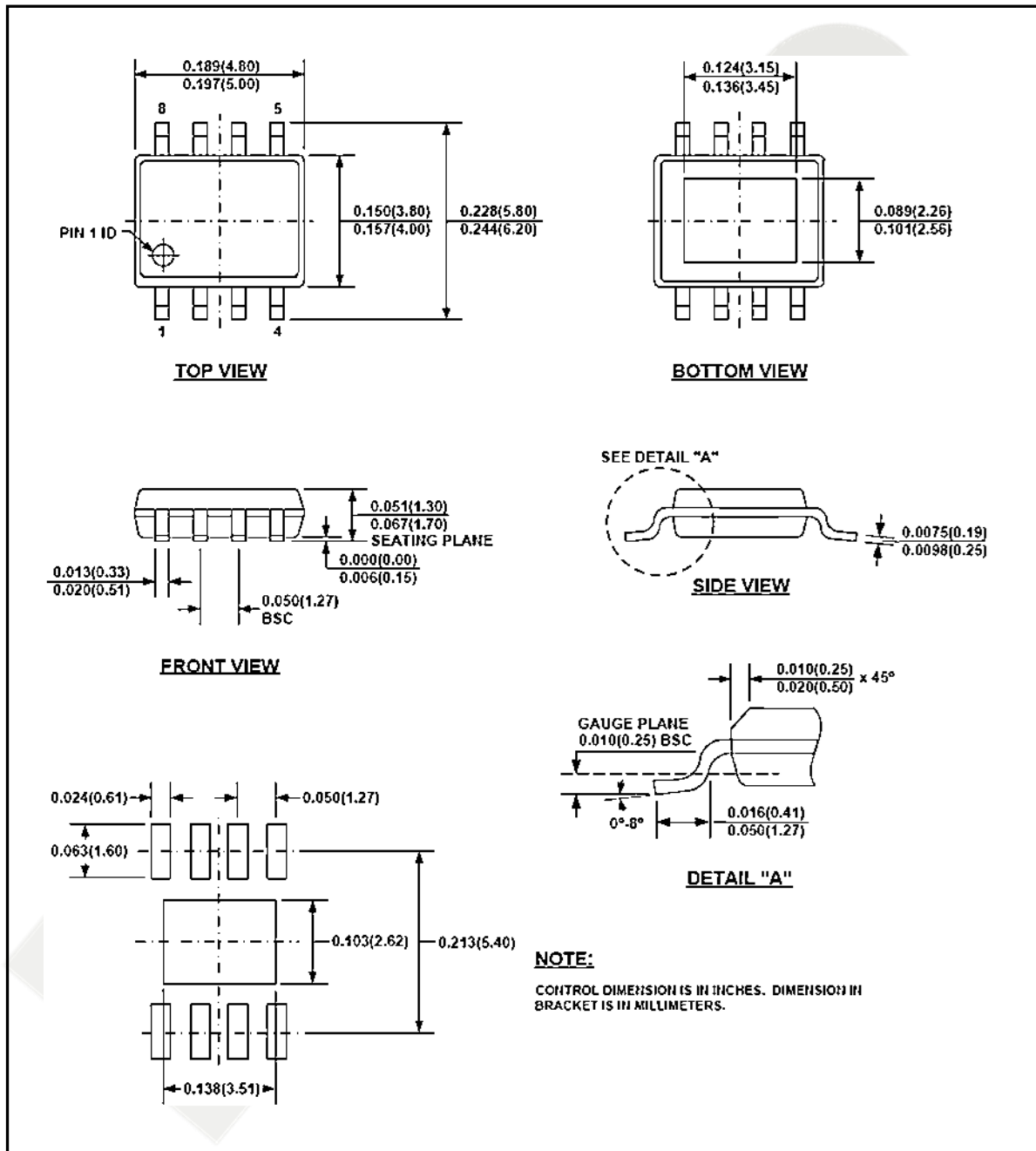
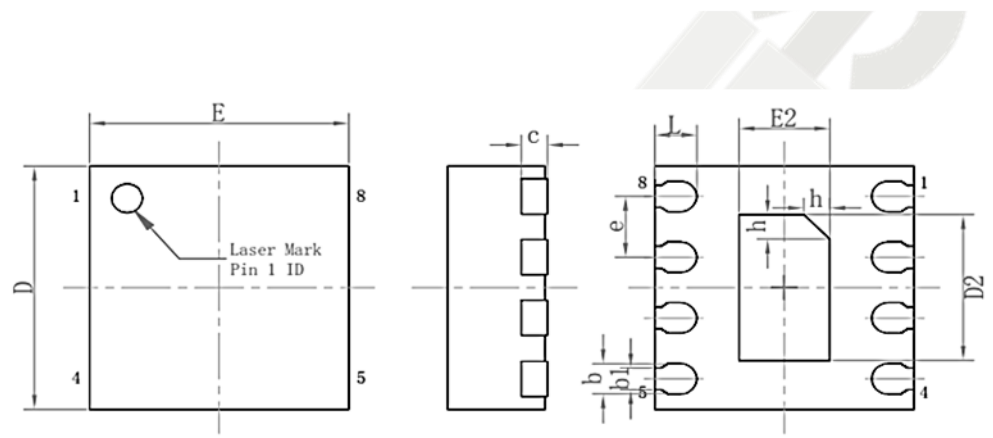


Figure 12 DFN8 Mechanical Data and Package Dimensions

	Min (mm)	Typ (mm)	Max (mm)		Min (mm)	Typ (mm)	Max (mm)
A	0.70	0.75	0.80	e	0.50BSC		
A1	0.00	0.02	0.05	E	1.95	2.00	2.05
b	0.18	0.25	0.30	E2	0.65	0.70	0.75
b1	0.18REF			L	0.25	0.30	0.35
c	0.20REF			h	0.15	0.20	0.25
D	1.95	2.00	2.05				
D2	1.15	1.20	1.25				



bottom view

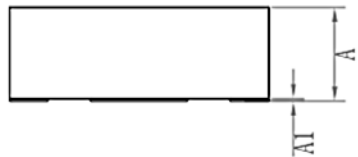


Figure 13 SOP8 Mechanical Data and Package Dimensions

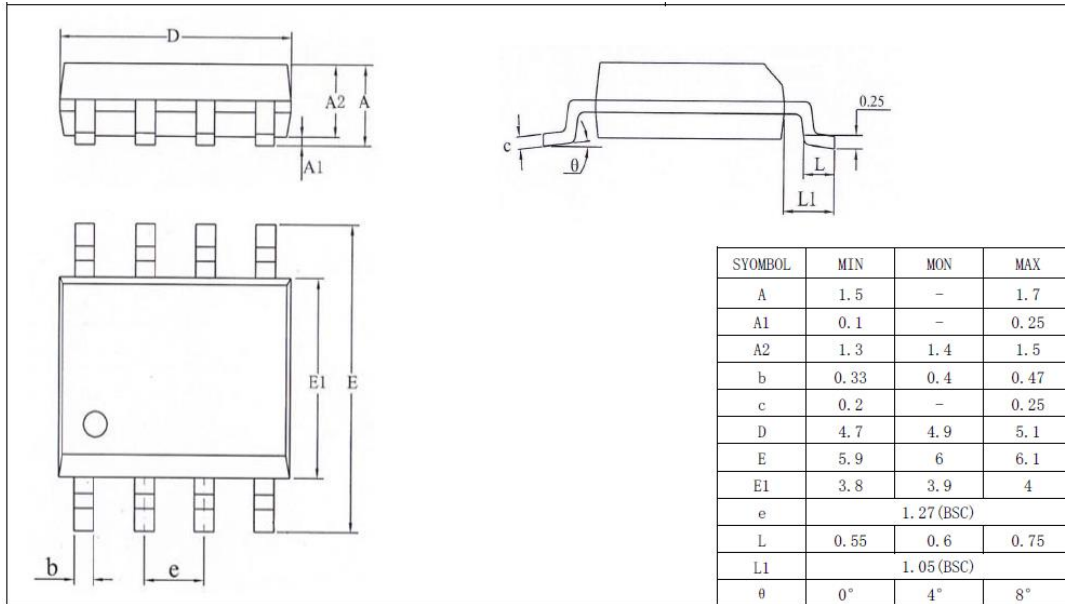
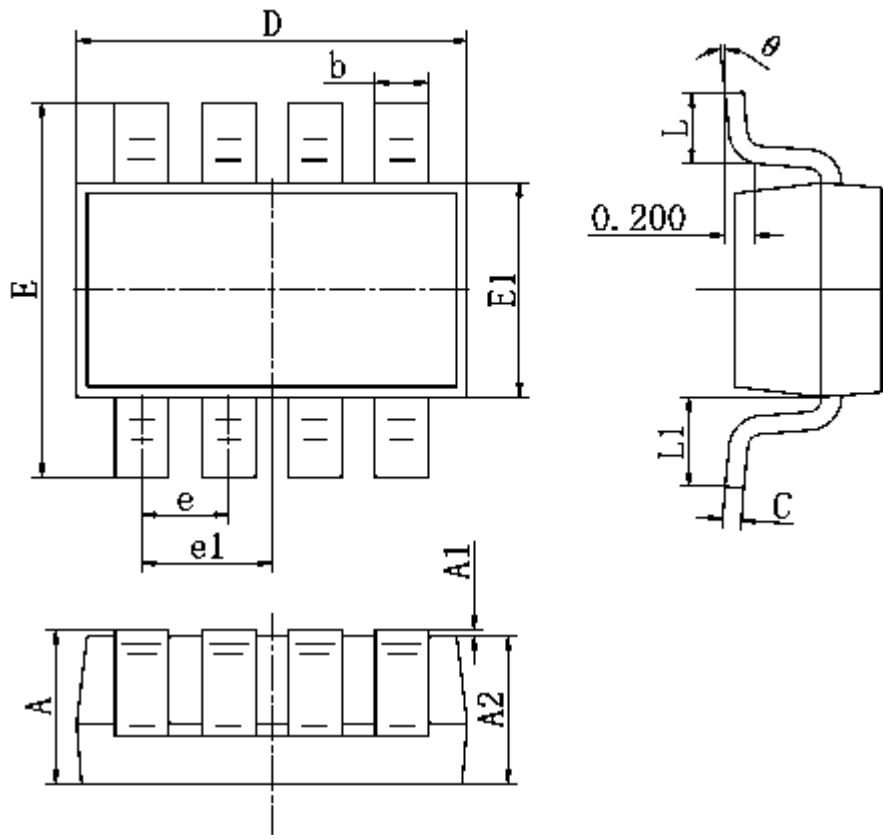


Figure 14 SOT23-8L Mechanical Data and Package Dimensions



Symbol	Dimensions In Millimeters		Dimensions In Inches	
	Min.	Max.	Min.	Max.
A	1.050	1.250	0.041	0.049
A1	0.000	0.100	0.000	0.004
A2	1.050	1.150	0.041	0.045
b	0.300	0.500	0.012	0.020
c	0.100	0.200	0.004	0.008
D	2.820	3.020	0.111	0.119
E1	1.500	1.700	0.059	0.067
E	2.650	2.950	0.104	0.116
e	0.650BSC.		0.026BSC.	
e1	0.975BSC.		0.038BSC.	
L	0.300	0.600	0.012	0.024
L1	0.600REF.		0.024REF.	
θ	0°	8°	0°	8°

Figure 15 DIP8 Mechanical Data and Packaging Information

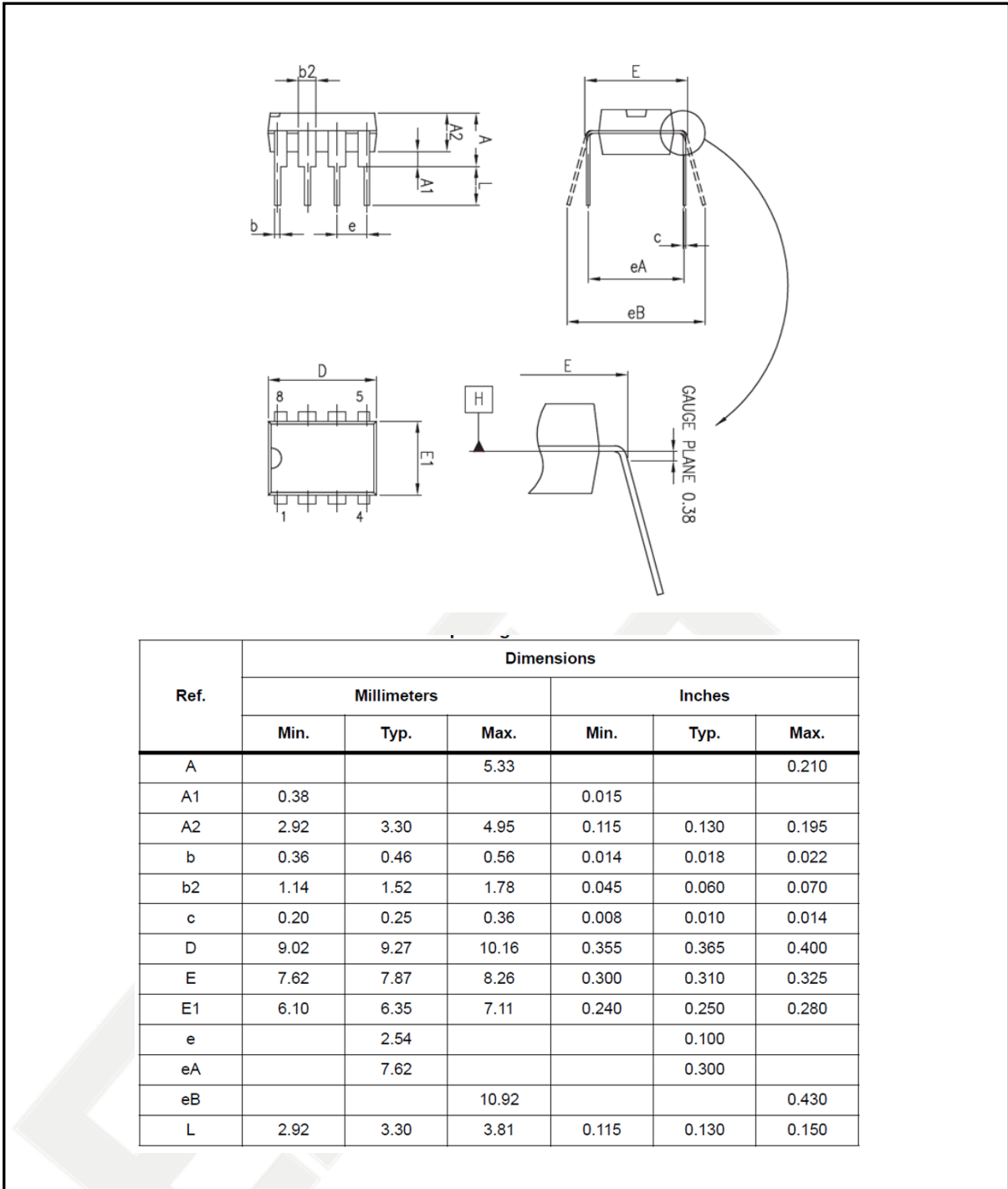


Figure 16 DFN10 Mechanical Data and Package Dimensions

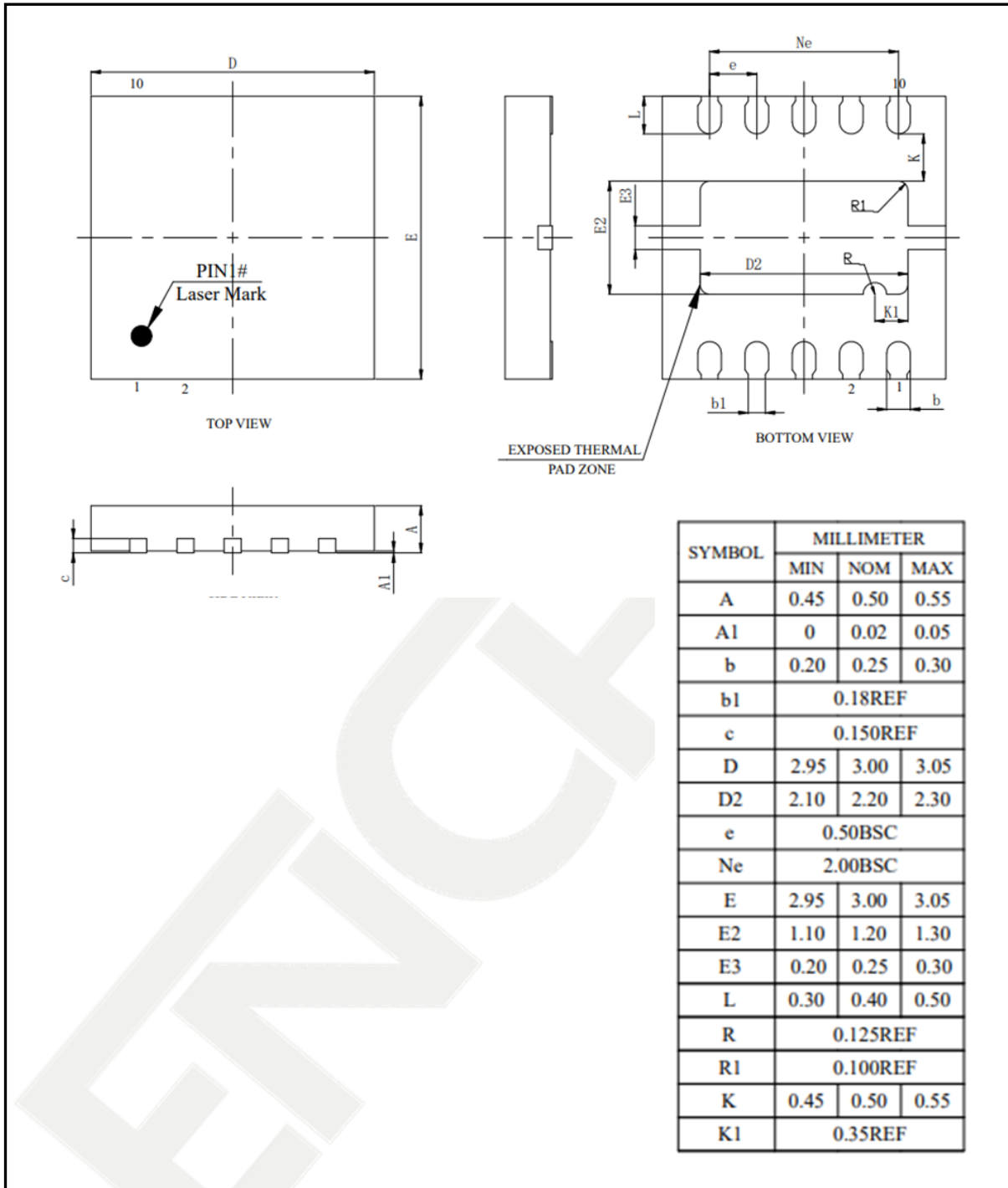


Figure 17 SSOP10 Mechanical Data and Package Dimensions

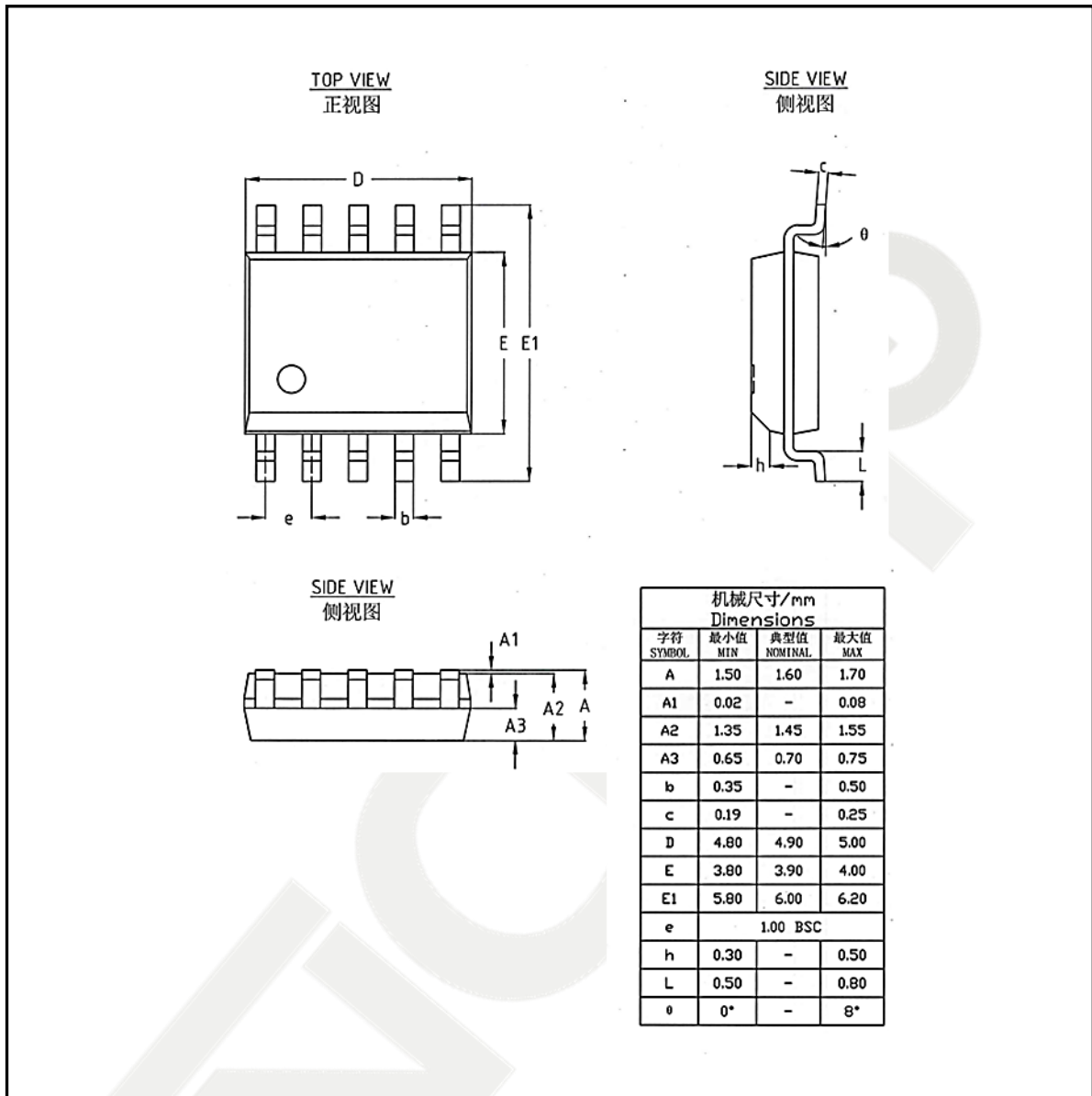


Figure 18 QFN14 Mechanical Data and Package Dimensions

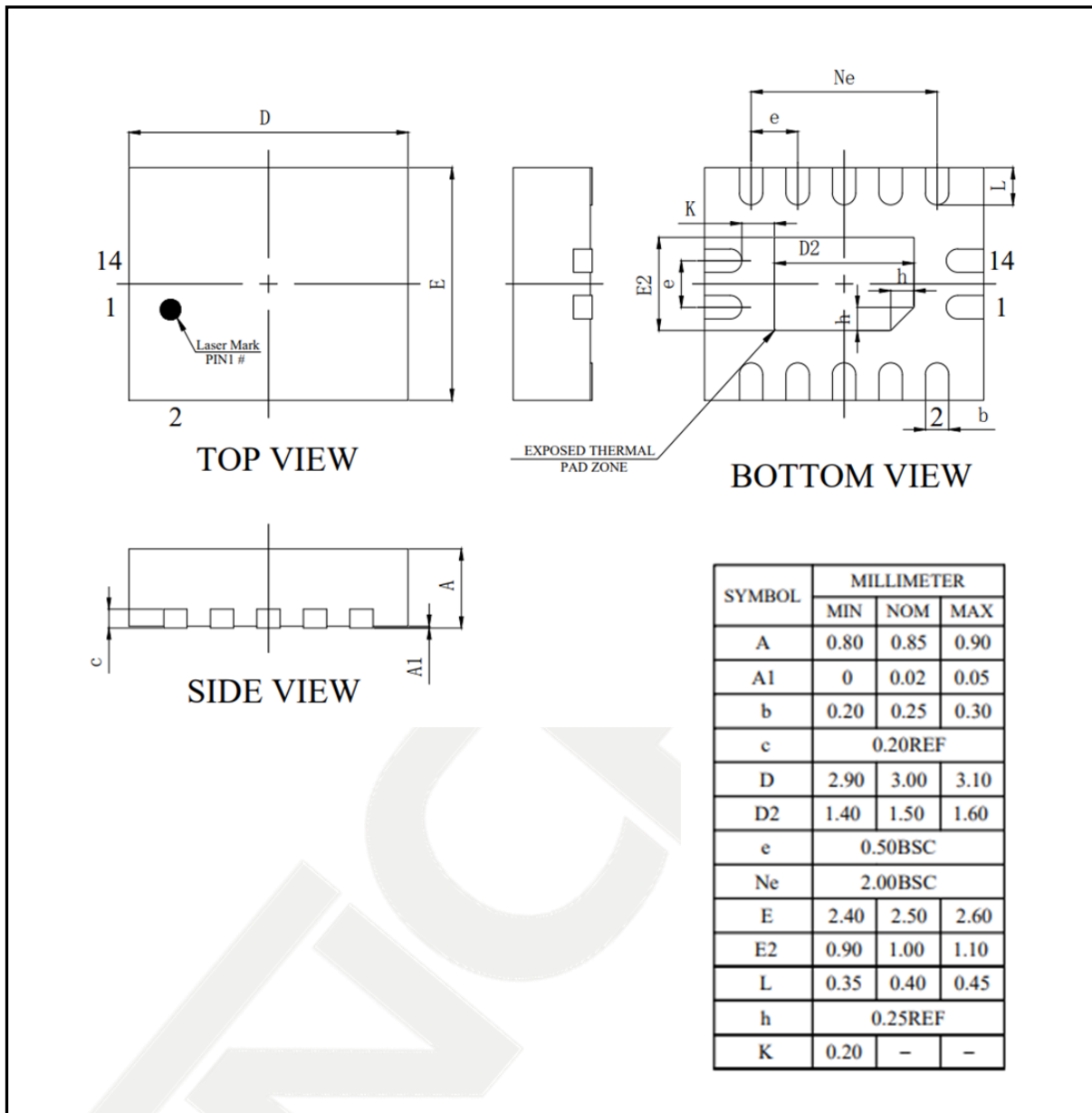


Figure 19 TSSOP14 Mechanical Data and Package Dimensions

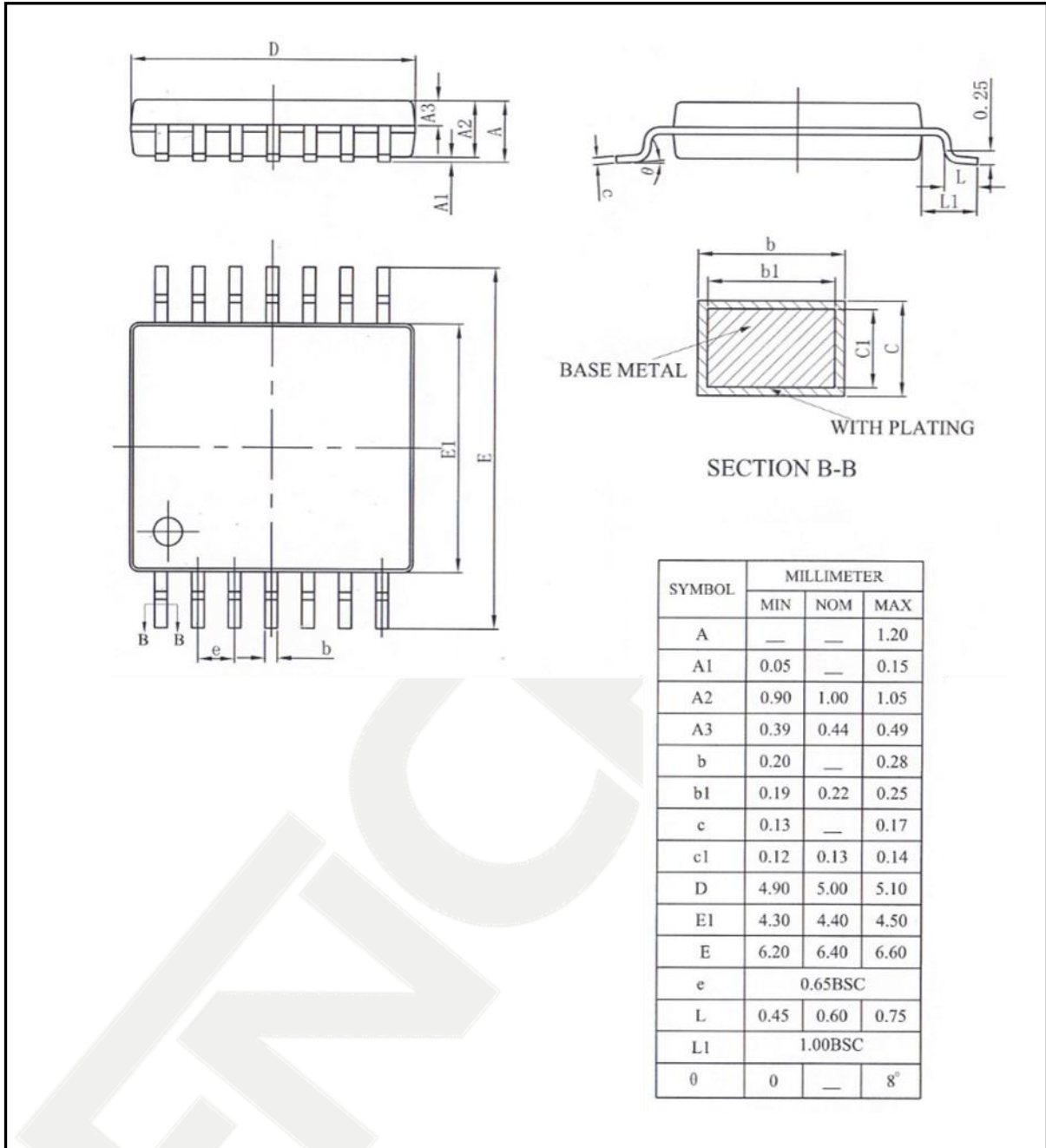
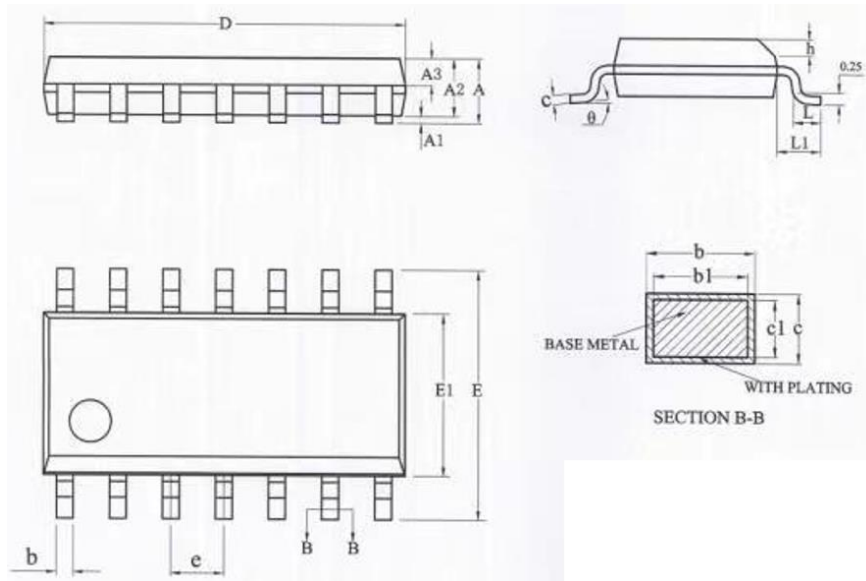


Figure 20 SOP14 Mechanical Data and Package Dimensions



SYMBOL	MILLIMETER		
	MIN	NOM	MAX
A	—	—	1.75
Δ A1	0.10	—	0.225
A2	1.30	1.40	1.50
A3	0.60	0.65	0.70
Δ b	0.39	—	0.47
Δ b1	0.38	0.41	0.44
Δ c	0.20	—	0.24
Δ c1	0.19	0.20	0.21
Δ D	8.55	8.65	8.75
Δ E	5.80	6.00	6.20
Δ E1	3.80	3.90	4.00
e	1.27BSC		
h	0.25	—	0.50
L	0.50	—	0.80
L1	1.05REF		
θ	0	—	8°

Figure 21 QFN16 Mechanical Data and Package Dimensions

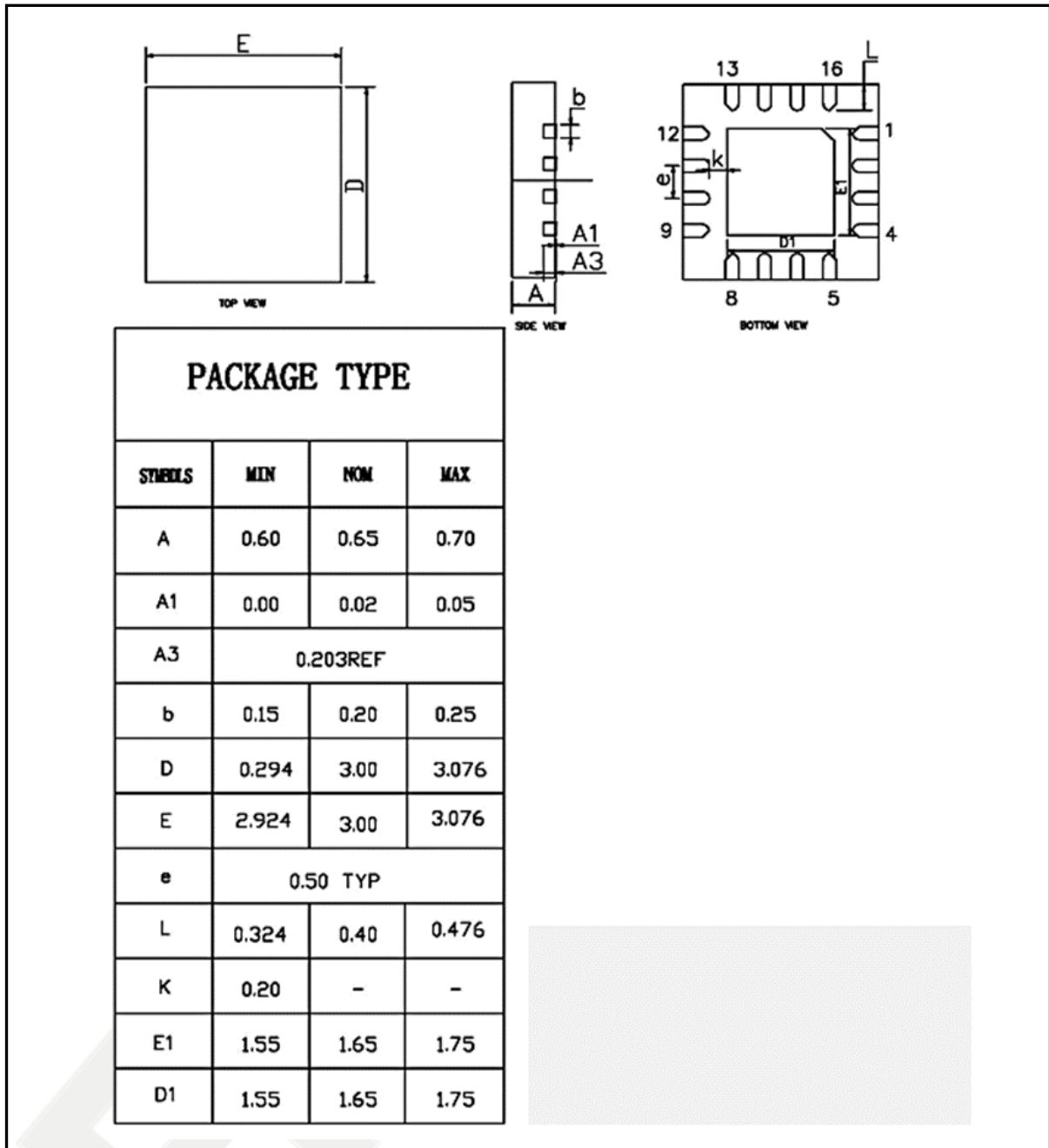
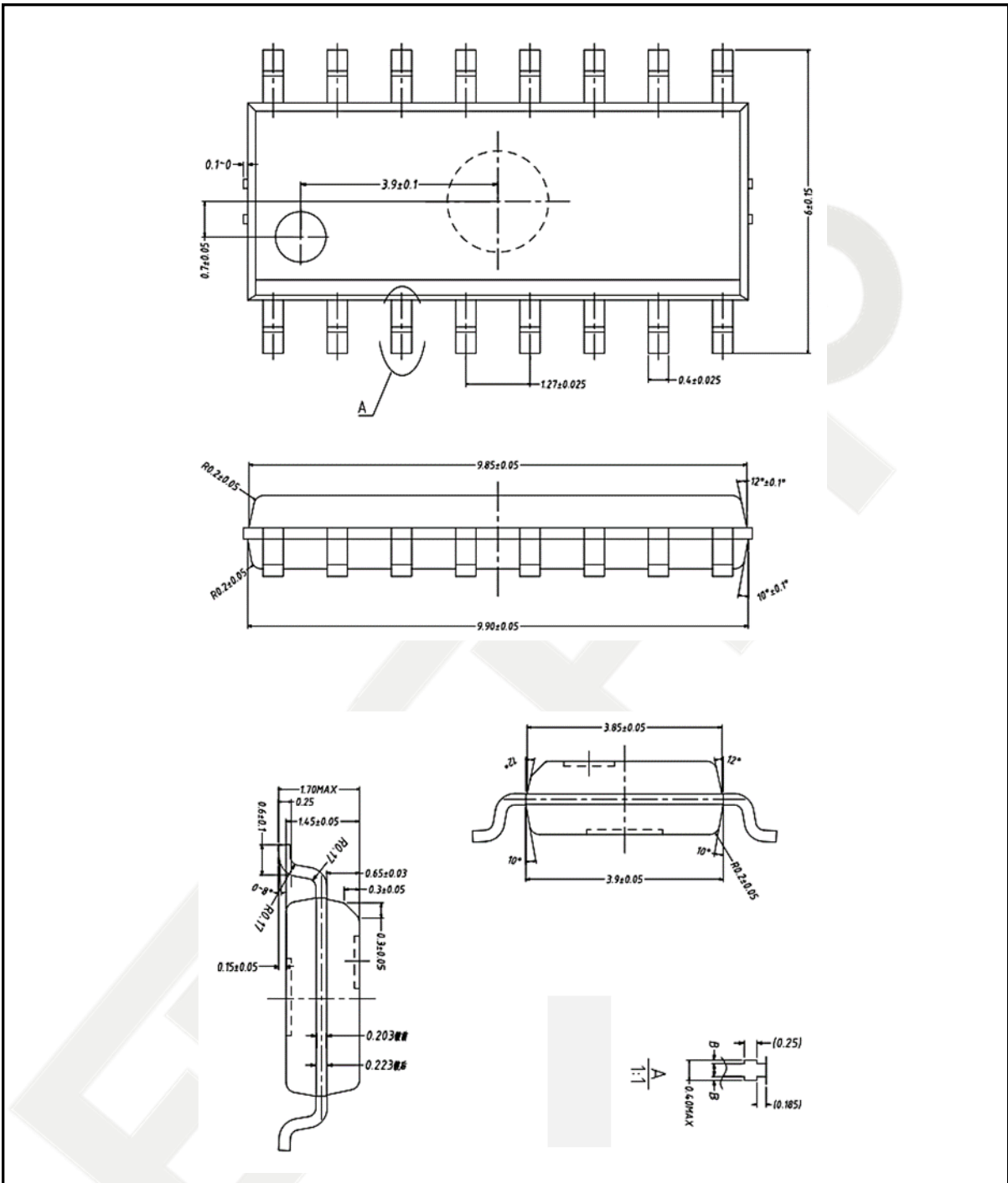


Figure 22 SOP16 Mechanical Data and Package Dimensions



5.2 Marking Information

Figure 23 eSOP8 Marking Information

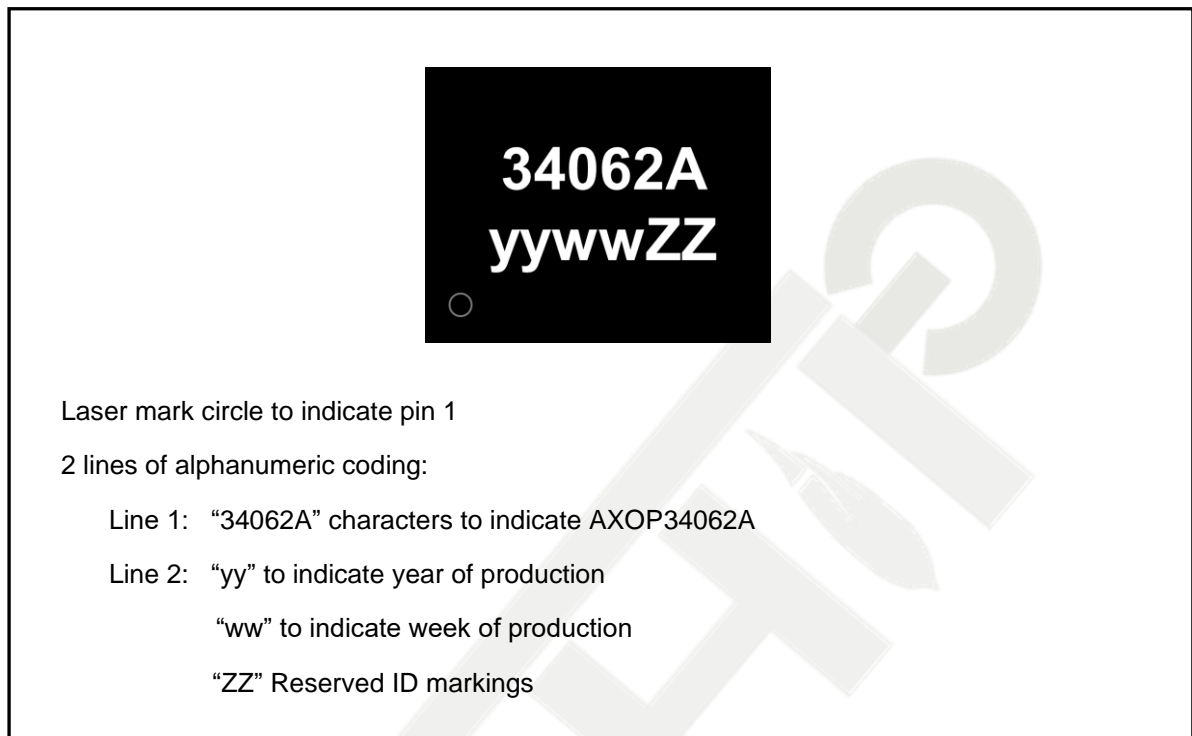


Figure 24 DFN8 Marking Information

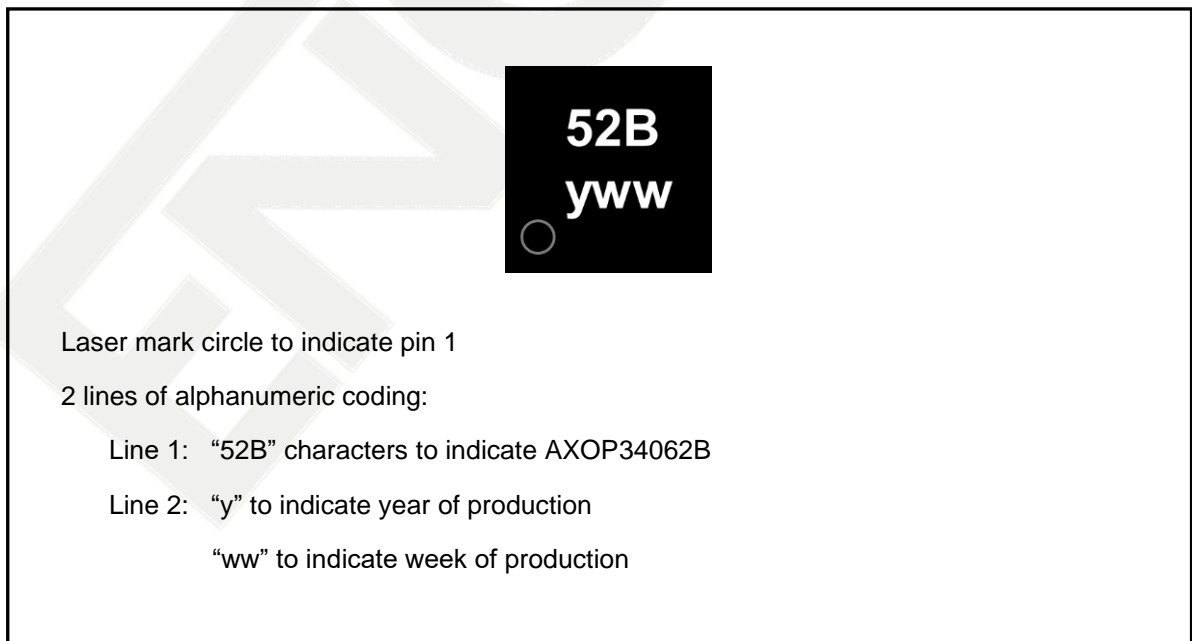


Figure 25 SOP8 Marking Information

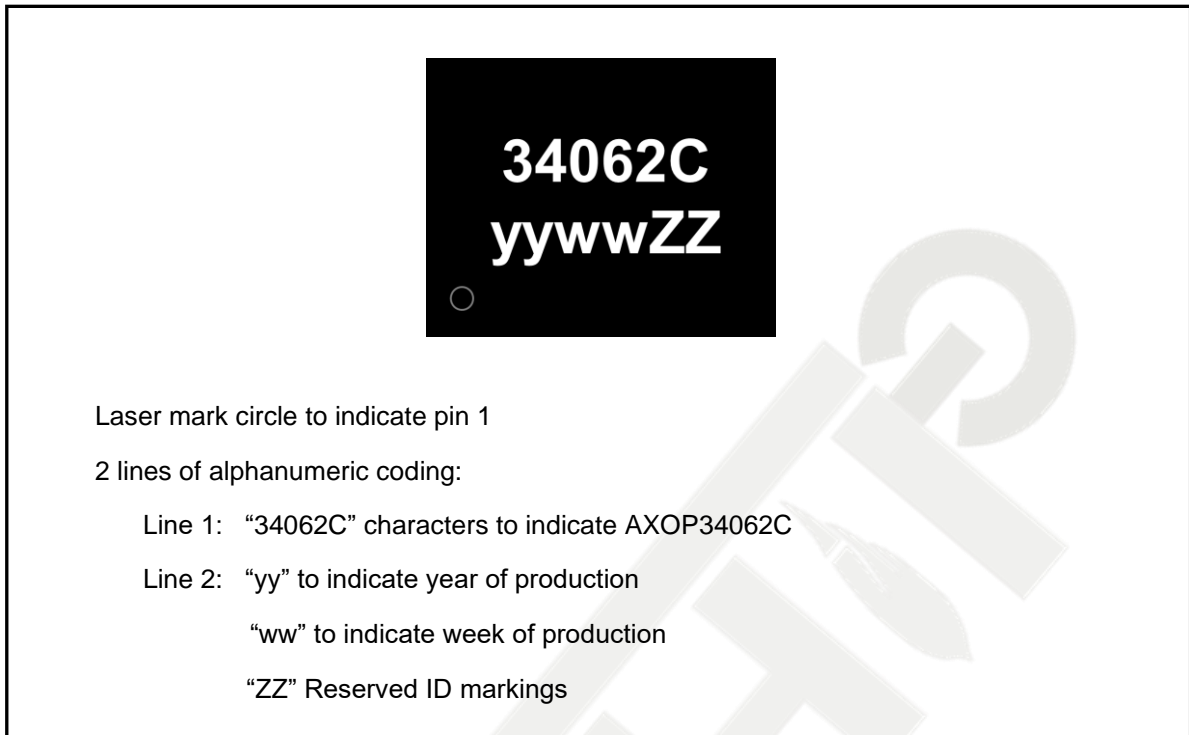


Figure 26 SOT23-8L Marking Information

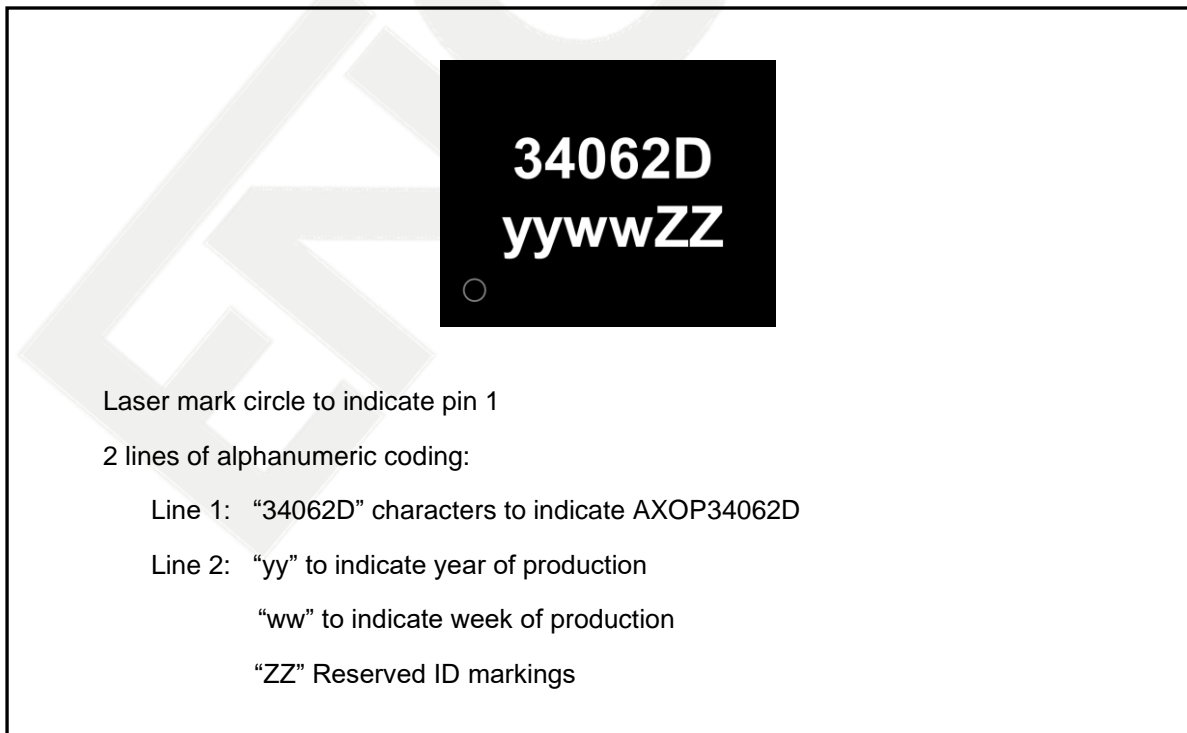


Figure 27 DIP8 Marking Information

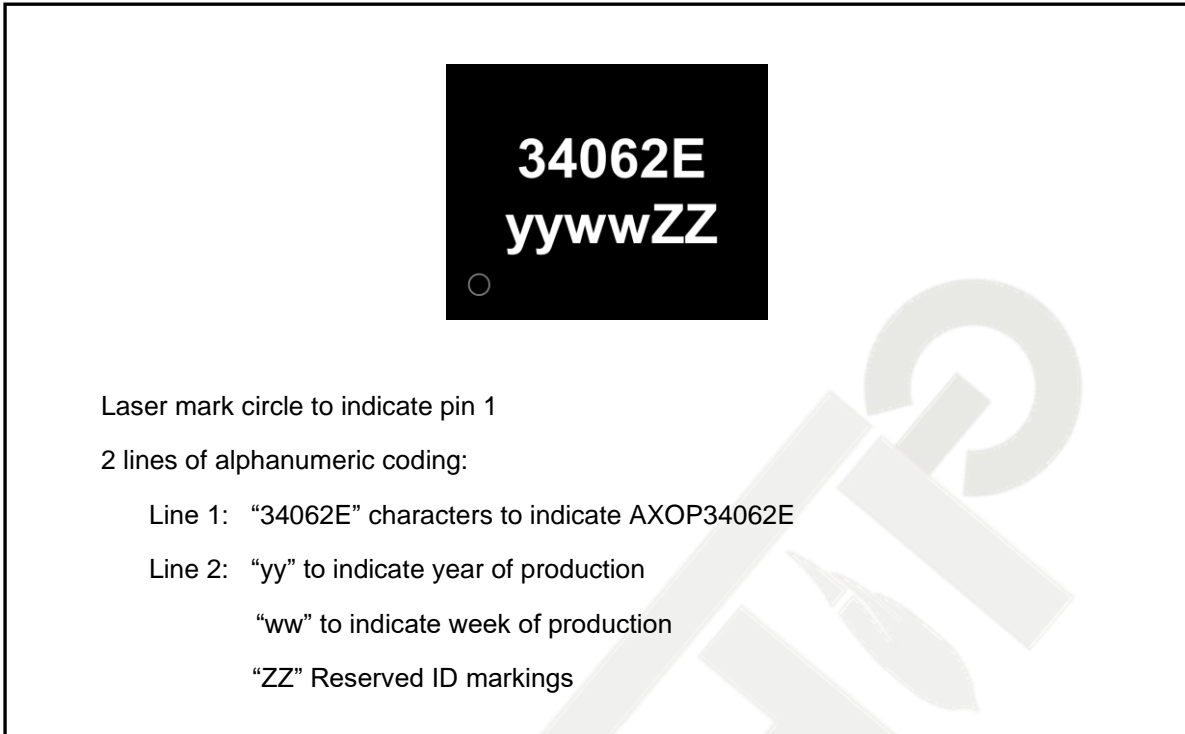


Figure 28 DFN10 Marking Information

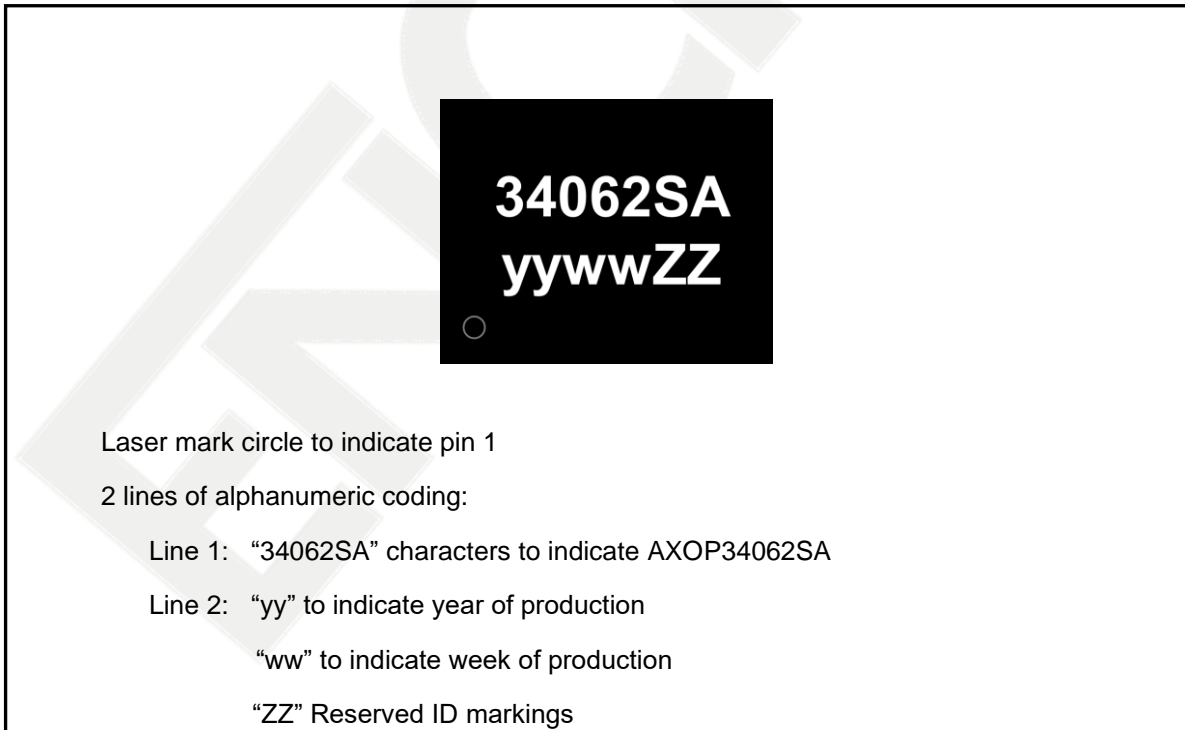


Figure 29 SSOP10 Marking Information

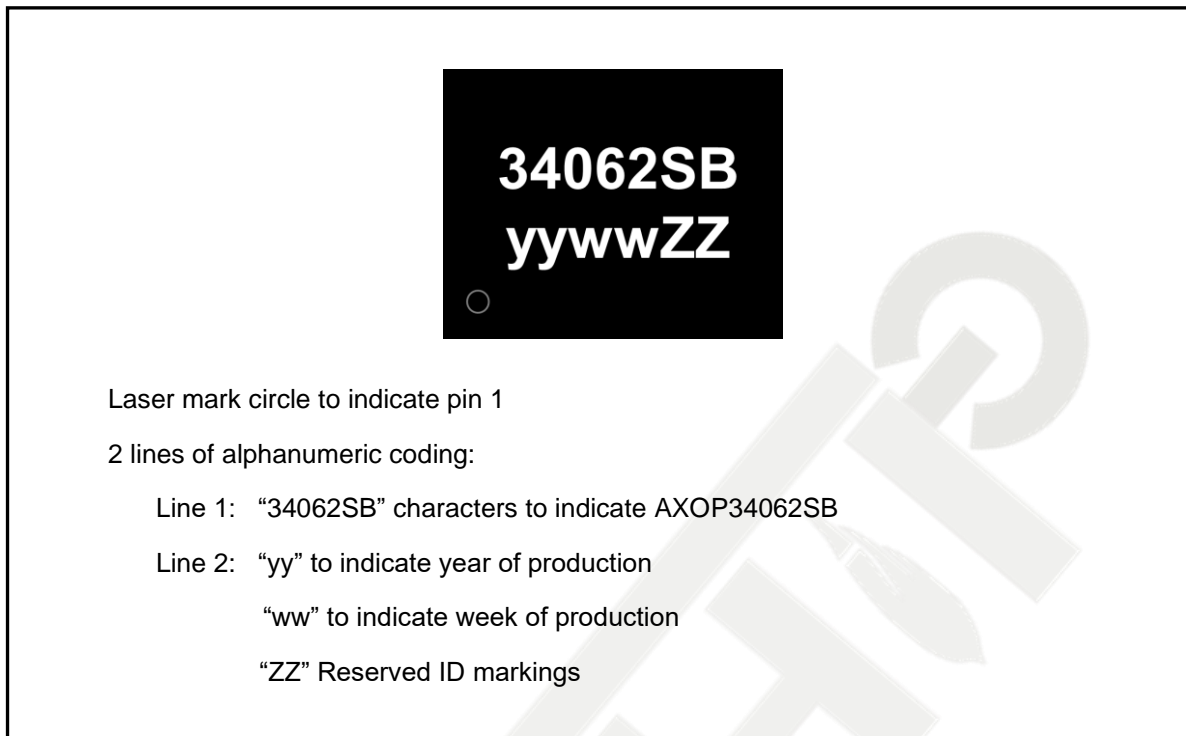


Figure 30 QFN14 Marking Information

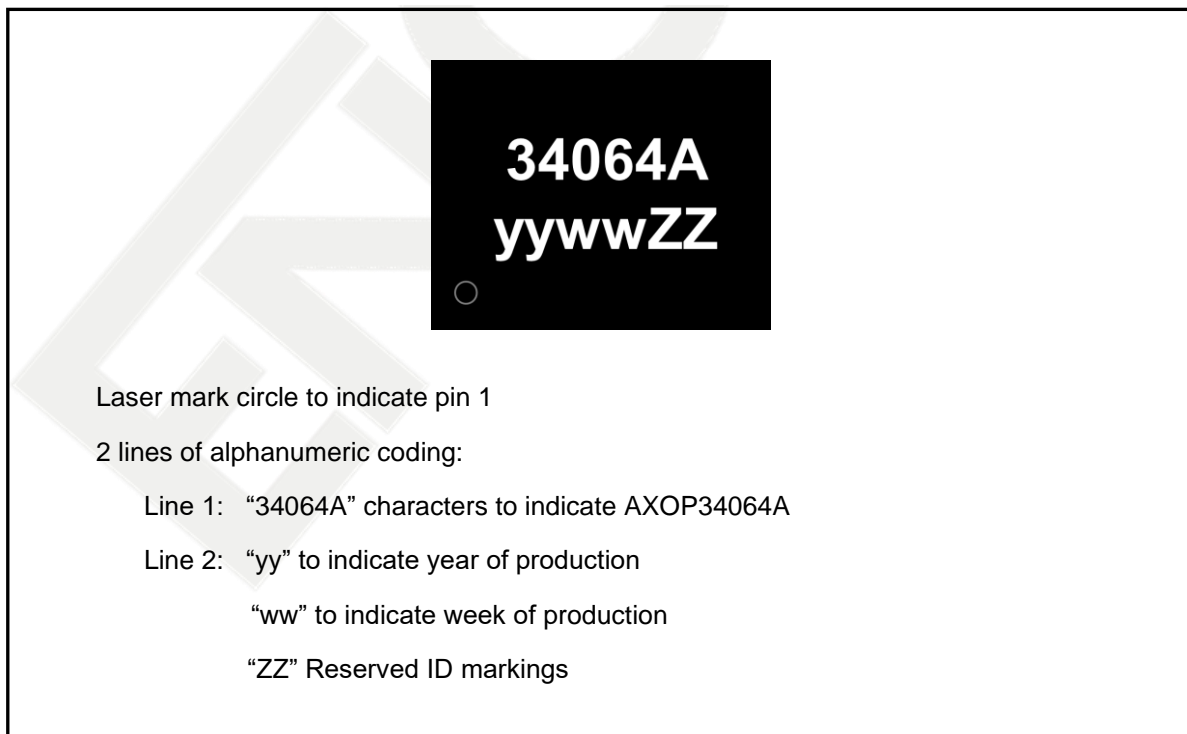


Figure 31 TSSOP14 Marking Information

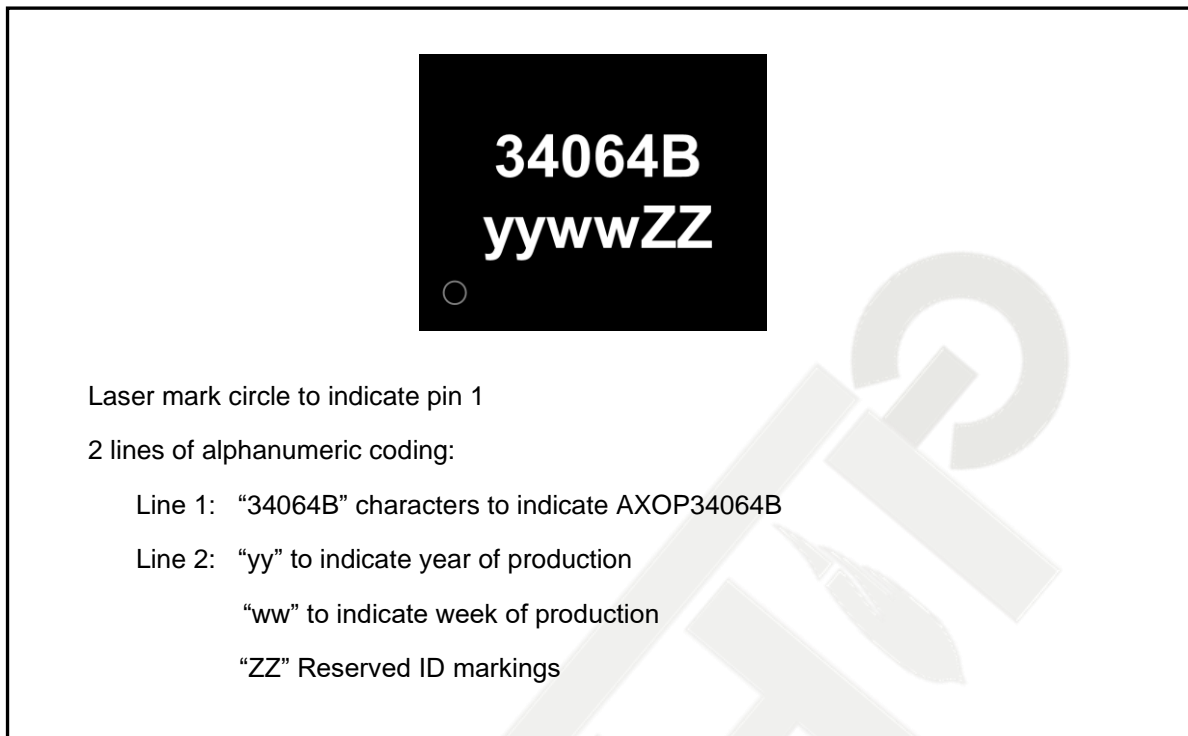


Figure 32 SOP14 Marking Information

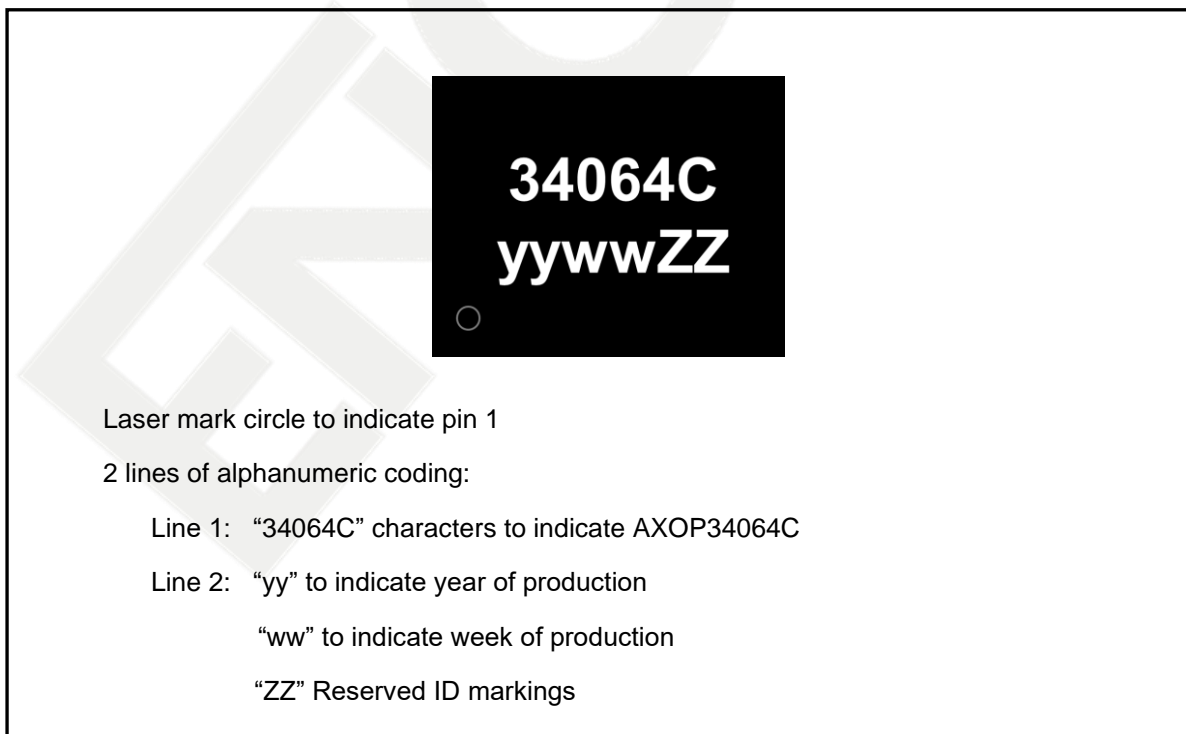


Figure 33 QFN16 Marking Information

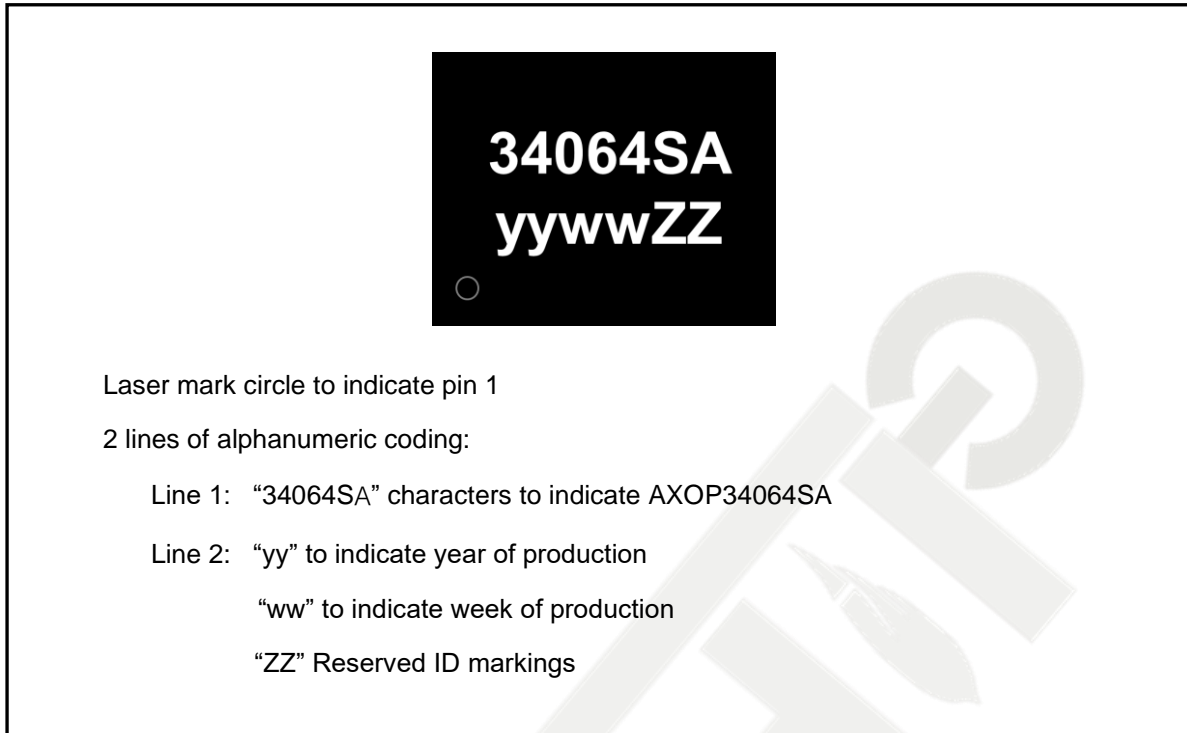
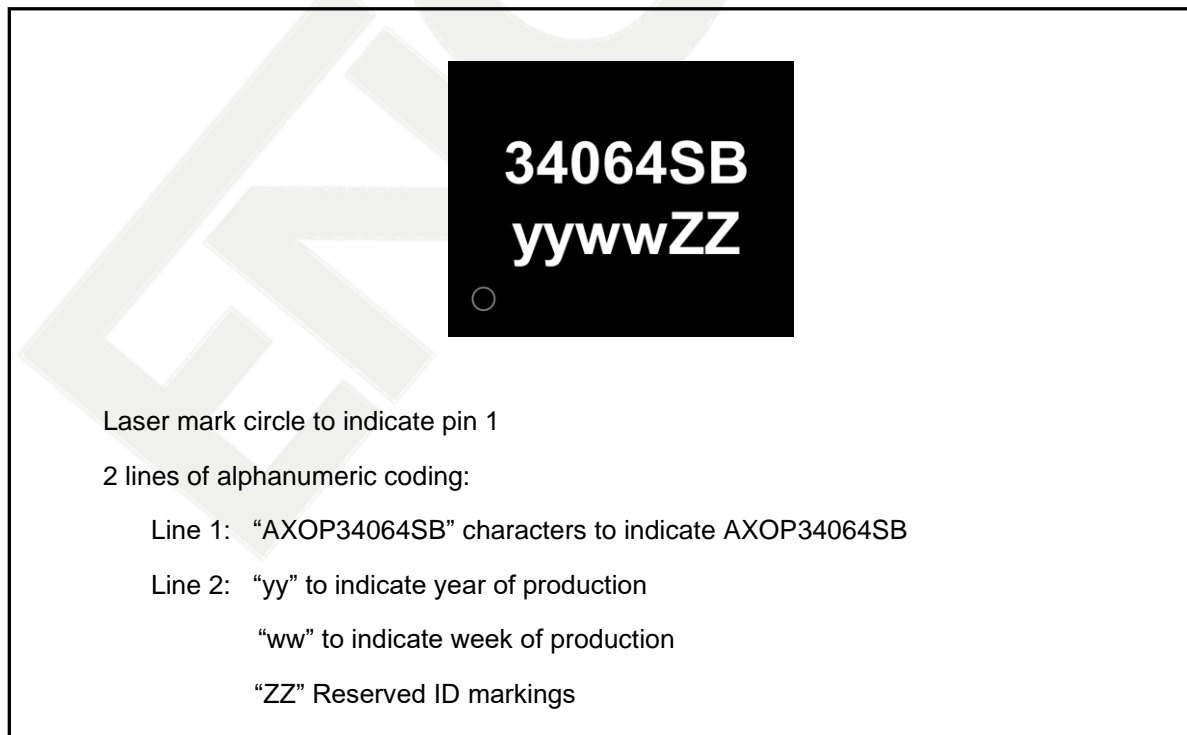
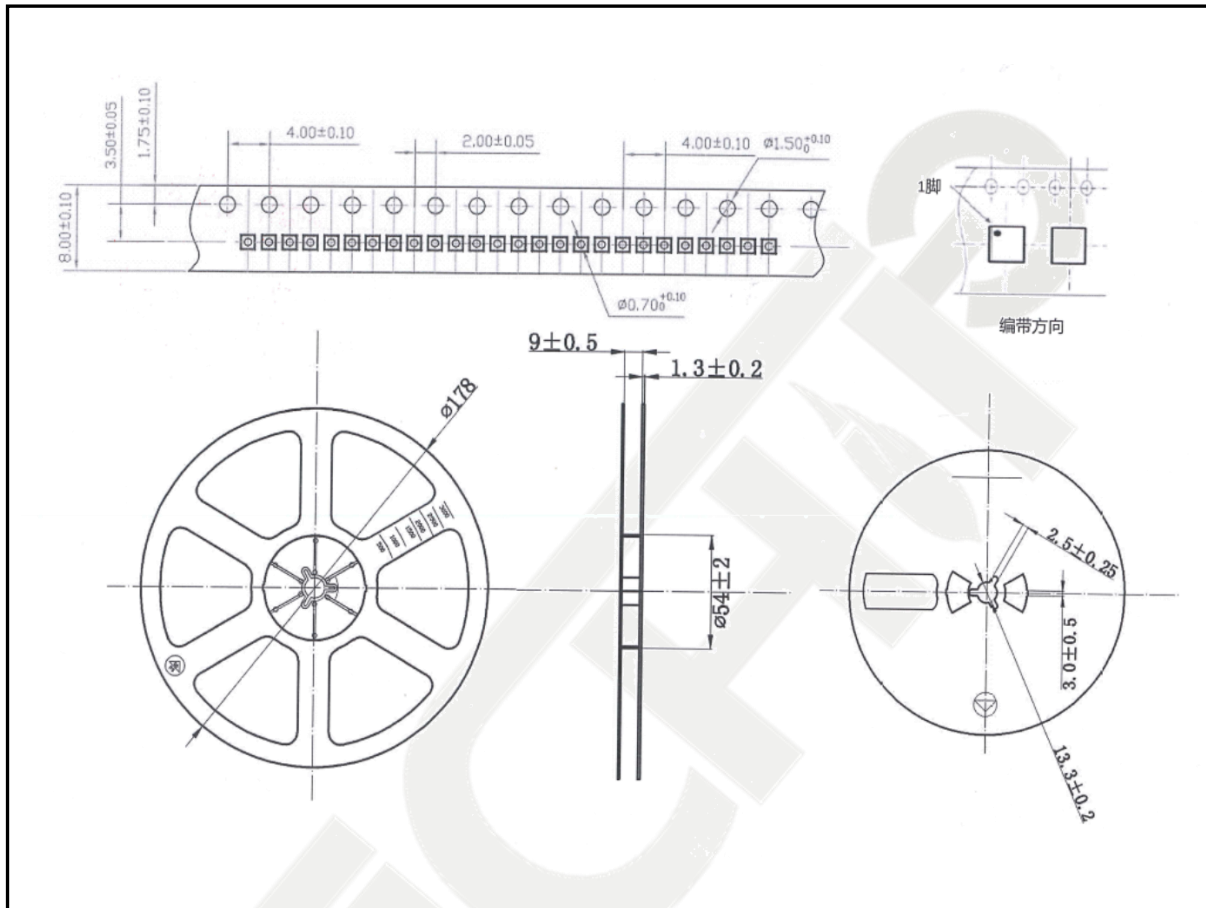


Figure 34 SOP16 Marking Information



6 Packing Information

Figure 35 Reel Packing Information



7 Revision History

Table 6 Document Revision History

Date	Version	Description
May 2023	1.00	V1.00 version.